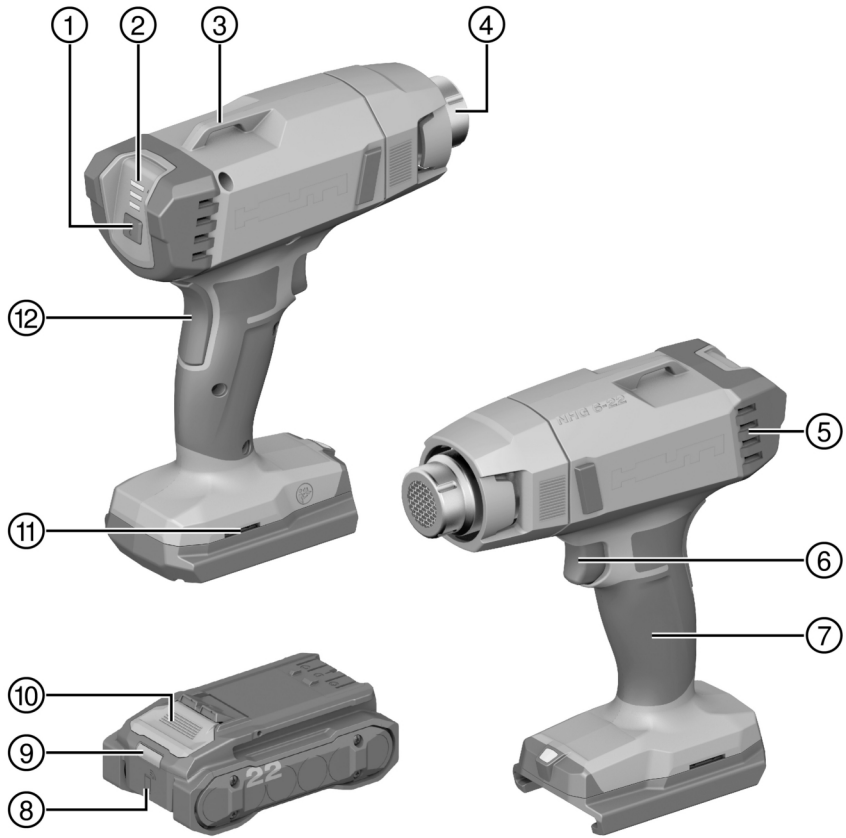


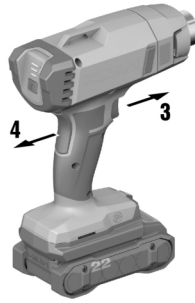
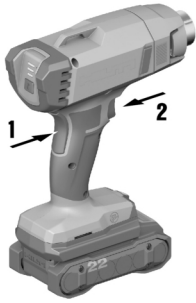


NHG 6-22 (01) (01)

English	1
Français	9
Español	18
Português	26



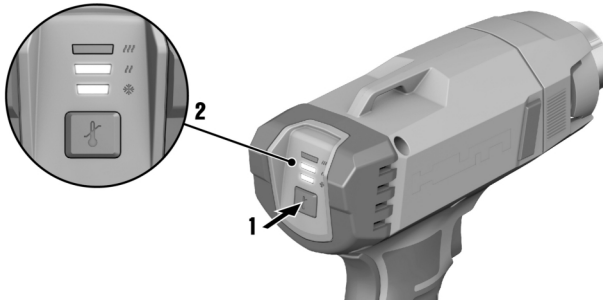
2



3



4



en Original operating instructions

Information about the operating instructions

About these operating instructions

- **Warning!** Read and understand all accompanying documentation, including but not limited to instructions, safety warnings, illustrations, and specifications provided with this product. Familiarize yourself with all the instructions, safety warnings, illustrations, specifications, components, and functions of the product before use. Failure to do so may result in electric shock, fire, serious injury or death. Save all warnings and instructions for future reference.
- products are designed for professional users and only trained, authorized personnel are permitted to operate, service and maintain the products. This personnel must be specifically informed about the possible hazards. The product and its ancillary equipment can present hazards if used incorrectly by untrained personnel or if used not in accordance with the intended use.
- The accompanying documentation corresponds to the current state of the art at the time of printing. Please always check for the latest version on the product's page on Hilti's website. To do this, follow the link or scan the QR code in this documentation, marked with the symbol
- The operating instructions must always remain ready to hand at the product. Ensure that these operating instructions are with the product when it is given to other persons.

Explanation of symbols

Warnings

Warnings alert persons to hazards that occur when handling or using the product. The following signal words are used:

DANGER

DANGER !

- ▶ Draws attention to imminent danger that will lead to serious personal injury or fatality.

WARNING

WARNING !

- ▶ Draws attention to a potential threat of danger that can lead to serious injury or fatality.

CAUTION

CAUTION !

- ▶ Draws attention to a potentially dangerous situation that could lead to personal injury or damage to the equipment or other property.

Symbols in the operating instructions

The following symbols are used in these operating instructions:

	Comply with the operating instructions
	Instructions for use and other useful information
	Dealing with recyclable materials
	Do not dispose of electric equipment and batteries as household waste
	Hilti Li-ion battery
	Hilti charger

Symbols in illustrations

The following symbols are used in illustrations:

	These numbers refer to the illustrations at the beginning of these operating instructions.
	The numbering reflects the sequence of operations shown in the illustrations and may deviate from the steps described in the text.
	Item reference numbers are used in the overview illustration and refer to the numbers used in the key in the product overview section.
	These characters are intended to specifically draw your attention to certain points when handling the product.

Product-dependent symbols

Symbols on the product

The following symbols can be used on the product:

	The product supports near-field communication (NFC) technology compatible with iOS and Android platforms.
--	---



Li-Ion	Li-ion battery
	Never strike the battery with an object and never use the battery as a striking tool.
	Do not drop the battery. Never use a battery that has suffered an impact or is damaged in any other way.
	Comply with the operating instructions
	Hilti Li-ion battery type series used. Observe the information given in the section headed Intended use .
	If applied on the product, the product has been certified by this certification body for the US and Canadian markets according to the applicable standards.

Safety

General power tool safety warnings

⚠ WARNING Read all safety warnings, instructions, illustrations and specifications provided with this power tool. Failure to follow all instructions listed below may result in electric shock, fire and/or serious injury.

Save all warnings and instructions for future reference.

The term "power tool" in the warnings refers to your mains-operated (corded) power tool or battery-operated (cordless) power tool.

Work area safety

- ▶ **Keep work area clean and well lit.** Cluttered or dark areas invite accidents.
- ▶ **Do not operate power tools in explosive atmospheres, such as in the presence of flammable liquids, gases or dust.** Power tools create sparks which may ignite the dust or fumes.
- ▶ **Keep children and bystanders away while operating a power tool.** Distractions can cause you to lose control.

Electrical safety

- ▶ **Power tool plugs must match the outlet. Never modify the plug in any way. Do not use any adapter plugs with earthed (grounded) power tools.** Unmodified plugs and matching outlets will reduce risk of electric shock.
- ▶ **Avoid body contact with earthed or grounded surfaces, such as pipes, radiators, ranges and refrigerators.** There is an increased risk of electric shock if your body is earthed or grounded.
- ▶ **Do not expose power tools to rain or wet conditions.** Water entering a power tool will increase the risk of electric shock.
- ▶ **Do not abuse the cord. Never use the cord for carrying, pulling or unplugging the power tool. Keep cord away from heat, oil, sharp edges or moving parts.** Damaged or entangled cords increase the risk of electric shock.
- ▶ **When operating a power tool outdoors, use an extension cord suitable for outdoor use.** Use of a cord suitable for outdoor use reduces the risk of electric shock.
- ▶ **If operating a power tool in a damp location is unavoidable, use a residual current device (RCD) protected supply.** Use of an RCD reduces the risk of electric shock.

Personal safety

- ▶ **Stay alert, watch what you are doing and use common sense when operating a power tool. Do not use a power tool while you are tired or under the influence of drugs, alcohol or medication.** A moment of inattention while operating power tools may result in serious personal injury.
- ▶ **Use personal protective equipment. Always wear eye protection.** Protective equipment such as a dust mask, non-skid safety shoes, hard hat or hearing protection used for appropriate conditions will reduce personal injuries.
- ▶ **Prevent unintentional starting. Ensure the switch is in the off-position before connecting to power source and/or battery pack, picking up or carrying the tool.** Carrying power tools with your finger on the switch or energising power tools that have the switch on invites accidents.
- ▶ **Remove any adjusting key or wrench before turning the power tool on.** A wrench or a key left attached to a rotating part of the power tool may result in personal injury.
- ▶ **Do not overreach. Keep proper footing and balance at all times.** This enables better control of the power tool in unexpected situations.
- ▶ **Dress properly. Do not wear loose clothing or jewellery. Keep your hair and clothing away from moving parts.** Loose clothes, jewellery or long hair can be caught in moving parts.
- ▶ **If devices are provided for the connection of dust extraction and collection facilities, ensure these are connected and properly used.** Use of dust collection can reduce dust-related hazards.
- ▶ **Do not let familiarity gained from frequent use of tools allow you to become complacent and ignore tool safety principles.** A careless action can cause severe injury within a fraction of a second.

Power tool use and care

- ▶ **Do not force the power tool. Use the correct power tool for your application.** The correct power tool will do the job better and safer at the rate for which it was designed.
- ▶ **Do not use the power tool if the switch does not turn it on and off.** Any power tool that cannot be controlled with the switch is dangerous and must be repaired.
- ▶ **Disconnect the plug from the power source and/or remove the battery pack, if detachable, from the power tool before making any adjustments, changing accessories, or storing power tools.** Such preventive safety measures reduce the risk of starting the power tool accidentally.
- ▶ **Store idle power tools out of the reach of children and do not allow persons unfamiliar with the power tool or these instructions to operate the power tool.** Power tools are dangerous in the hands of untrained users.



- ▶ **Maintain power tools and accessories.** Check for misalignment or binding of moving parts, breakage of parts and any other condition that may affect the power tool's operation. If damaged, have the power tool repaired before use. Many accidents are caused by poorly maintained power tools.
- ▶ **Keep cutting tools sharp and clean.** Properly maintained cutting tools with sharp cutting edges are less likely to bind and are easier to control.
- ▶ **Use the power tool, accessories and tool bits etc. in accordance with these instructions, taking into account the working conditions and the work to be performed.** Use of the power tool for operations different from those intended could result in a hazardous situation.
- ▶ **Keep handles and grasping surfaces dry, clean and free from oil and grease.** Slippery handles and grasping surfaces do not allow for safe handling and control of the tool in unexpected situations.

Battery tool use and care

- ▶ **Recharge only with the charger specified by the manufacturer.** A charger that is suitable for one type of battery pack may create a risk of fire when used with another battery pack.
- ▶ **Use power tools only with specifically designated battery packs.** Use of any other battery packs may create a risk of injury and fire.
- ▶ **When battery pack is not in use, keep it away from other metal objects, like paper clips, coins, keys, nails, screws or other small metal objects, that can make a connection from one terminal to another.** Shorting the battery terminals together may cause burns or a fire.
- ▶ **Under abusive conditions, liquid may be ejected from the battery; avoid contact. If contact accidentally occurs, flush with water. If liquid contacts eyes, additionally seek medical help.** Liquid ejected from the battery may cause irritation or burns.
- ▶ **Do not use a battery pack or tool that is damaged or modified.** Damaged or modified batteries may exhibit unpredictable behaviour resulting in fire, explosion or risk of injury.
- ▶ **Do not expose a battery pack or tool to fire or excessive temperature.** Exposure to fire or temperature above 130° C (265 °F) may cause explosion.
- ▶ **Follow all charging instructions and do not charge the battery pack or tool outside the temperature range specified in the instructions.** Charging improperly or at temperatures outside the specified range may damage the battery and increase the risk of fire.

Service

- ▶ **Have your power tool serviced by a qualified repair person using only identical replacement parts.** This will ensure that the safety of the power tool is maintained.
- ▶ **Never service damaged battery packs.** Service of battery packs should only be performed by the manufacturer or authorized service providers.

Additional safety instructions

- ▶ Use the product and accessories only when they are in perfect working order.
- ▶ Never tamper with or modify the product or accessories in any way.
- ▶ Risk of injury by falling tools and/or accessories. Before starting work, check that the battery and installed accessories are secure.
- ▶ Always exercise your common sense and be careful when using the hot-air gun. It is not possible to foresee every situation that could lead to a dangerous result. Do not use this tool if you do not understand these operating instructions or if you have the feeling that the work is beyond your capabilities; consult Hilti Service
- ▶ Vapors produced by heating can contain dangerous chemicals. Some examples are: lead or lead-based paints; certain masonry products, products containing silicates, chemically treated wood and asbestos or materials containing asbestos. Determine the exposure of the operator and bystanders by means of the hazard classification of the materials to be worked. Implement the necessary measures to restrict exposure to a safe level, for example by the use of an exhaust air system or by the wearing of suitable respiratory protection. The general measures for reducing exposure include:
 - ▶ working in an area that is well ventilated,
 - ▶ avoidance of prolonged contact with toxic vapors,
 - ▶ directing vapors away from the face and body,
 - ▶ wearing protective clothing and washing exposed areas of the skin with water and soap.
- ▶ Do not look directly into the light source (LEDs) incorporated in the power tool and do not direct the light at other persons' faces.
- ▶ Keep the air vents clear at all times. Risk of burn injuries due to blocked air vents! .
- ▶ Do not attach a belt hook to this product.
- ▶ Do not use the nozzles as scrapers.
- ▶ Familiarize yourself with your working environment. Concealed areas, for example behind walls, ceilings, floors, reveals and other facings can contain flammable materials that can ignite when the hot-air gun is used at these locations. The ignition of these materials might not be directly detectable and can lead to damage to property and injuries. Check these areas before and after heat application. If in doubt, use some other method. Allowing heat to remain applied to one place can ignite the sheet or the material behind it. Keep the hot-air gun in motion to prevent excessive temperatures.
- ▶ Hot-air guns can produce a flameless heat of 593 °C (1100 °F) or more at the nozzle. Contact with the jet of air can lead to injuries.
 - ▶ Do not direct the jet of air from the hot-air gun toward clothing, hair or parts of the body.
 - ▶ Do not use the hot-air gun as a hairdryer.
- ▶ The product becomes hot while in operation, especially the front part and the nozzle.
 - ▶ Do not touch the front part of the product with your bare hand.
 - ▶ Always hold the hot-air gun by the grip designed for the purpose.
 - ▶ Wear protective clothing when changing the nozzle.
 - ▶ Do not lay the product on flammable materials.
 - ▶ Wait for the hot-air gun to cool down to room temperature before you touch it or put it away.
 - ▶ For the duration of the cool-down period, lay the hot-air gun in an area away from flammable materials to prevent flammable materials from igniting.
- ▶ Do not leave the hot-air gun unattended while it is switched on or while it is cooling down. Inattention leads to accidents.



- ▶ Set the hot-air gun on a sturdy, flat surface when you are not holding it in your hand.
- ▶ Do not use the hot-air gun to heat foodstuffs, liquids or other products intended for human consumption.
- ▶ Do not use the hot-air gun near flammable liquids or in explosive environments, e.g. in the presence of vapors, gases or dust. The flameless heat of the hot-air gun can ignite the dust or the vapors. Remove materials or waste that can ignite from the work area.
- ▶ Shield materials round the heated area to prevent damage to property or fires.
- ▶ Hot-air guns can ignite flammable materials left behind in the work area. Have a fire extinguisher ready nearby.
- ▶ Do not aim the jet of air directly at glass. The glass can shatter and cause damage to property or injuries.
- ▶ Keep labels and type identification plates in good condition. They contain important information. If they become illegible or are detached, consult **Hilti** Service.

Important safety instructions for removing paint

▶ **WARNING! Do not use a hot-air gun to remove paint that contains lead!**

- ▶ Exercise extreme care when removing old paint. Before starting work, make sure that the paint you want to remove does not contain lead. If in doubt, have the paint tested for lead content. The local health authority or a specialist can ascertain this with a paint analyzer.
- ▶ Flaking paint, residues and vapors can contain toxic lead. Hand-to-mouth contact involving paint flakes or residues can lead to ingestion of lead. Even small amounts of lead can lead to irreversible damage to the brain and the nervous system. Young children and unborn babies are particularly susceptible to lead poisoning.
- ▶ Have lead-based paint removed by a specialist!



- Paints manufactured before 1977 might contain lead.
- Paints manufactured before 1950 are very likely to contain lead.

▶ **Observe the following instructions when you remove paint with a hot-air gun:**

- ▶ **Work in a well-ventilated area.** If possible, move the workpiece outdoors. If you work indoors, open the windows and position an air extractor fan in a window opening. Make sure that the fan extracts the air from inside to outside. Good ventilation reduces the risk of inhaling chemicals contained in the vapors produced when a hot-air gun is used or the dust raised when a hot-air gun is used.
- ▶ **Remove or cover carpets, rugs, furniture, clothing, kitchen utensils and air-handling shafts** to prevent damage to property due to paint flaking off.
- ▶ **In the work area, lay out cloths to catch paint residues. Wear protective clothing** such as a cap, extra work-shirts and overalls. Paint waste can contain toxic chemicals.
- ▶ **Work in only one room at a time.** Remove furniture or place the furniture in the middle of the room and cover it up. Seal doorways by affixing painter's drop cloths to separate the work area from the rest of the building.
- ▶ **Children, pregnant or potentially pregnant women and nursing mothers should keep clear of the work area** until all work is completed and the work area has been thoroughly cleaned.
- ▶ **Wear a dust mask or a respirator with two filters (dust and smoke)** approved by the Occupational Safety and Health Administration (OSHA), the National Institute of Safety and Health (NIOSH) or the United States Bureau of Mines. Make sure that the mask fits snugly and forms a seal. Beards and facial hair can lead to the mask not forming a correct seal. Replace the filters frequently. Disposable paper masks are unsuitable!
- ▶ **Be careful when using the hot-air gun.** Keep the hot-air gun in motion to prevent excessive temperatures. Excessive heat can lead to paint and other materials catching fire and to the formation of vapors that could be inhaled.
- ▶ **Keep your working environment clean.** Abraded paint and dust produced by the paint removal process can contain hazardous chemicals. Keep foodstuffs and beverages away from the work area. Wash your hands, arms and face and rinse out your mouth before eating or drinking. In the work area do not smoke and do not chew gum or tobacco.
- ▶ **Remove all paint residues and dust by wet cleaning.** Wet-wipe the floors, walls, windowsills and other surfaces on which paint and dust have collected. Use a damp cloth to avoid raising dust into the air. Use a cleaning agent with high phosphate content, trisodium phosphate (TSP) or a substitute for trisodium phosphate to clean and wipe down the work area.
- ▶ **Dispose of all paint residues in accordance with the applicable regulations.** After each work operation place the paint residues in a double plastic bag, close the bag with adhesive tape or cable ties and place it in the appropriate receptacle. Observe local regulations regarding waste disposal.
- ▶ **Remove protective clothing and work footwear in the work area to prevent dust from being spread into other parts of the building.** Wash the work clothes separately. Wipe your shoes with a damp cloth and wash the cloth together with your work clothes. Wash your hair and body thoroughly with water and soap.

Careful handling and use of batteries

- ▶ **Comply with the following safety instructions for the safe handling and use of Li-ion batteries.** Failure to comply can lead to skin irritation, severe corrosive injury, chemical burns, fire and/or explosion.
- ▶ Use only batteries that are in perfect working order.
- ▶ Treat batteries with care in order to avoid damage and prevent leakage of fluids that are extremely harmful to health!
- ▶ Do not under any circumstances modify or tamper with batteries!
- ▶ Do not disassemble, crush or incinerate batteries and do not subject them to temperatures over 80 °C (176 °F).
- ▶ Never use or charge a battery that has suffered an impact or been damaged in any other way. Check your batteries regularly for signs of damage.
- ▶ Never use recycled or repaired batteries.
- ▶ Never use the battery or a battery-operated power tool as a striking tool.
- ▶ Never expose batteries to the direct rays of the sun, elevated temperature, sparking, or open flame. This can lead to explosions.
- ▶ Do not touch the battery poles with your fingers, tools, jewelry, or other electrically conductive objects. This can damage the battery and also cause material damage and personal injury.
- ▶ Keep batteries away from rain, moisture and liquids. Penetrating moisture can cause short circuits, electric shock, burns, fire and explosions.
- ▶ Use only chargers and power tools approved for the specific battery type. Read and follow the relevant operating instructions.



- ▶ Do not use or store the battery in explosive environments.
- ▶ If the battery is too hot to touch, it may be defective. Put the battery in a place where it is clearly visible and where there is no risk of fire, at an adequate distance from flammable materials. Allow the battery to cool down. If it is still too hot to touch after an hour, the battery is faulty. Consult **Hilti Service** or read the document entitled "Instructions on safety and use for **Hilti Li-ion batteries**".



Observe the special guidelines applicable to the transport, storage and use of Li-ion batteries. 8

Read the instructions on safety and use of **Hilti Li-ion batteries** that you can access by scanning the QR code indicated by the symbol .

Description

Product overview

- | | | | |
|---|------------------------------|---|--------------------------|
| ① | Temperature-selection button | ⑦ | Grip |
| ② | Temperature indicator | ⑧ | Battery |
| ③ | Eye | ⑨ | Battery status indicator |
| ④ | Air discharge tube | ⑩ | Battery release button |
| ⑤ | Air intake | ⑪ | Installation opening |
| ⑥ | On/off switch | ⑫ | Lockbutton |

Intended use

The product described is a cordless hot-air gun. The hot-air gun is designed for welding, shrinking and shaping thermoplastics and for heating up and drying materials.

- For this product, use only **Hilti Nuron** lithium-ion batteries of the B 22 series. For optimum performance, **Hilti** recommends the batteries stated in the table at the end of these operating instructions for this product.
- For these batteries, use only **Hilti** chargers of the type series stated in the table at the end of these operating instructions.

Items supplied

Hot-air gun, operating instructions

Other system products approved for use with this product can be found at your local **Hilti Store** or at: www.hilti.group

Status indicators of the Li-ion battery

Hilti Nuron Li-ion batteries can indicate state of charge, fault messages and the battery's state of health.

Indicators for state of charge and fault messages



WARNING

Risk of injury by a falling battery!

- ▶ If the release button is pressed with a battery inserted in the product, subsequently check that the battery is correctly re-engaged and secure.

Short-press the release button of the battery to get whichever of the following status indications is applicable at the time.

State of charge and, if applicable, faults are indicated constantly as long as the connected product is switched on.

Status	Meaning
Four (4) LEDs show constantly green	State of charge: 100 % to 71 %
Three (3) LEDs show constantly green	State of charge: 70 % to 51 %
Two (2) LEDs show constantly green	State of charge: 50 % to 26 %
One (1) LED shows constantly green	State of charge: 25 % to 10 %
One (1) LED slow-flashes green	State of charge: < 10 %
One (1) LED quick-flashes green	The Li-ion battery is completely discharged. Charge the battery. If the LED again starts quick-flashing after the battery has been charged, consult Hilti Service .
One (1) LED quick-flashes yellow	The Li-ion battery or the product in which it is inserted is overloaded, too hot or too cold, or experiencing some other fault. Bring the product and the battery to the recommended working temperature and do not overload the product when it is in use. If the message persists, consult Hilti Service .
One (1) LED shows yellow	The Li-ion battery and the product in which it is inserted are not compatible. Consult Hilti Service .
One (1) LED quick-flashes red	The Li-ion battery is locked and cannot be used. Consult Hilti Service .

Indicators showing the battery's state of health

To check the battery's state of health, press the release button and hold it down for longer than 3 seconds. The system does not detect a potential malfunction of the battery due to misuse, for example battery dropped or pierced, external heat damage, etc.



Status	Meaning
All LEDs show in sequence, followed by one (1) LED showing constantly green.	The battery can remain in use.
All LEDs show in sequence, followed by one (1) LED quick-flashing yellow.	The check to ascertain the battery's state of health did not complete. Repeat the procedure, or consult Hilti Service.
All LEDs show in sequence, followed by one (1) LED showing constantly red.	If a connected product can still be used, the remaining battery capacity is below 50 %. If a connected product can no longer be used, the battery has reached the end of its useful life and has to be replaced. Consult Hilti Service.

Technical data

Product generation	01
Rated voltage	21.8 V
Weight	0.65 kg (1.43 lb)
Storage temperature	-20 °C ... 70 °C (-4 °F ... 158 °F)
Ambient temperature for operation	-17 °C ... 60 °C (1 °F ... 140 °F)

Battery

Battery operating voltage	21.6 V
Weight, battery	See the end of these operating instructions
Ambient temperature for operation	-17 °C ... 60 °C (1 °F ... 140 °F)
Storage temperature	-20 °C ... 40 °C (-4 °F ... 104 °F)
Battery charging starting temperature	-10 °C ... 45 °C (14 °F ... 113 °F)

Preparations at the workplace



WARNING

Risk of injury by inadvertent starting!

- ▶ Before inserting the battery, make sure that the product is switched off.
- ▶ Remove the battery before making any adjustments to the power tool or before changing accessories.

Observe the safety instructions and warnings in this documentation and on the product.

Charging the battery

1. Before charging the battery, read the operating instructions for the charger.
2. Make sure that the contacts on the battery and the contacts on the charger are clean and dry.
3. Use an approved charger to charge the battery. 5

Inserting the battery



WARNING

Risk of injury by short circuit or falling battery!

- ▶ Before inserting the battery, make sure that the contacts on the battery and the contacts on the product are free of foreign matter.
- ▶ Make sure that the battery always engages correctly.

1. Charge the battery fully before using it for the first time.
2. Push the battery into the product until it engages with an audible click.
3. Check that the battery is seated securely.

Removing the battery

1. Press the battery release button.
2. Remove the battery from the product.

Replacing nozzle



WARNING

Severe burn injury due to hot surface! The air discharge tube gets extremely hot during operation.

- ▶ Allow the hot-air gun to cool down before you change accessories.

1. Pull the installed nozzle off the air discharge tube.
2. Fit the nozzle of your choice firmly on to the air discharge tube.



Fall arrest**WARNING**

Risk of injury by falling tool and/or accessory!

- ▶ Use only the **Hilti** tool tether recommended for your product.
- ▶ Prior to each use, always check the attachment point of the tool tether for possible damage.



Comply with the national regulations for working at heights.

As drop arrester for this product, use only a combination of the **Hilti** retaining strap #2293133 and the **Hilti** tool tether #2261970.

- ▶ Secure the retaining strap to the installation openings for accessories. Check that it holds securely.
- ▶ Secure one carabiner of the tool tether to the retaining strap and secure the second carabiner to a load-bearing structure. Check that both carabiners hold securely.



Comply with the operating instructions of the **Hilti** retaining strap and those of the **Hilti** tool tether.

Operation

Observe the safety instructions and warnings in this documentation and on the product.

Switching on/off 2

Slight smoke development is possible when the tool is used for the first time.

1. Press and hold down the lockbutton.
2. Press and hold down the on/off switch.
 - ▶ The hot-air gun heats up and blows air.
3. Release the on/off switch.
 - ▶ The hot-air gun stops heating and blowing air.
4. Release the lockbutton.
 - ▶ The on/off switch is latched.

Switching sustained operation on and off 3

Slight smoke development is possible when the tool is used for the first time.

1. Press and hold down the lockbutton.
2. Press the on / off switch until it clicks.
 - ▶ The hot-air gun heats up and blows air even when you release the on/off switch.
3. Press the on/off switch again.
 - ▶ The hot-air gun stops heating and blowing air.

Setting temperature 4

- "Room temperature" is set by default when the tool is switched on.
- The power indicator flashes during operation until the selected temperature is reached.

1. Press the temperature-selection button to change the temperature setting.
2. The power indicator shows the set temperature.

Indicators

One LED shows.	Room temperature
Two LEDs show.	300 °C
Three LEDs show.	500 °C

Care and maintenance**WARNING**

Risk of injury with battery inserted !

- ▶ Always remove the battery before carrying out care and maintenance tasks!

Care of the product

- Carefully remove stubborn dirt.
- Carefully clean the air vents, if present, with a dry, soft brush.
- Use only a slightly damp cloth to clean the housing. Do not use cleaning agents containing silicone as these can attack the plastic parts.
- Use a dry, clean cloth to clean the contacts of the product.

Care of the Li-ion batteries

- Never use a battery with clogged air vents. Clean the air vents carefully using a dry, soft brush.



- Avoid unnecessary exposure of the battery to dust and dirt. Never expose the battery to high levels of moisture (e.g. by being dipped in water or left in the rain).
If a battery has been soaked by moisture, treat it as a damaged battery. Isolate it in a non-flammable container and consult **Hilti Service**.
- Keep the battery free of extraneous oil and grease. Do not permit dust or dirt to accumulate unnecessarily on the battery. Clean the battery with a dry, soft brush or a clean, dry cloth. Do not use cleaning agents containing silicone as these can attack the plastic parts. Do not touch the contacts of the battery and do not remove the factory-applied grease from the contacts.
- Use only a slightly damp cloth to clean the housing. Do not use cleaning agents containing silicone as these can attack the plastic parts.

Maintenance

- Check all visible parts and controls for signs of damage at regular intervals and make sure that they all function correctly.
- Do not use the product if signs of damage are found or if parts malfunction. Immediately have the product repaired by **Hilti Service**.
- After cleaning and maintenance, install all guards and protective devices and check that they are in full working order.



To help ensure safe and reliable operation, use only genuine Hilti spare parts and consumables. Spare parts, consumables and accessories approved by **Hilti** for use with your product can be found at your **Hilti Store** or online at: www.hilti.group

Transport and storage of cordless tools and batteries

Transport



CAUTION

Accidental starting during transport !

- ▶ Always transport your products with the batteries removed!
- ▶ Remove the battery/batteries.
- ▶ Never transport batteries loose and unprotected. During transport, batteries should be protected from excessive shock and vibration and isolated from any conductive materials or other batteries that may come in contact with the terminals and cause a short circuit. **Comply with the locally applicable regulations for transporting batteries.**
- ▶ Do not send batteries through the mail. Consult your shipper for instructions on how to ship undamaged batteries.
- ▶ Prior to each use and before and after prolonged transport, check the product and the batteries for damage.

Storage



WARNING

Accidental damage caused by defective or leaking batteries !

- ▶ Always store your products with the batteries removed!
- ▶ Store the product and the batteries in a cool and dry place. Comply with the temperature limits stated in the technical data.
- ▶ Do not store batteries on the charger. Always remove the battery from the charger when the charging operation has completed.
- ▶ Never leave batteries in direct sunlight, on sources of heat, or behind glass.
- ▶ Store the product and batteries where they cannot be accessed by children or unauthorized persons.
- ▶ Prior to each use and before and after prolonged storage, check the product and the batteries for damage.

Troubleshooting

If a problem occurs, always observe the charge-status and fault indicator of the battery. See the section headed **Status indicators of the Li-ion battery**.

If the trouble you are experiencing is not listed in this table or you are unable to rectify the problem by yourself, contact **Hilti Service**.

Trouble or fault	Possible cause	Action to be taken
LEDs of the battery show nothing	Battery faulty.	▶ Contact Hilti Service .
Product does not work.	The battery is not fully inserted.	▶ Push the battery in until it engages with an audible click.
	Blower is too hot.	▶ Allow the product to cool down.

Disposal



WARNING

Risk of injury due to incorrect disposal! Health hazards due to escaping gases or liquids.

- ▶ DO NOT send batteries through the mail!
- ▶ Cover the terminals with a non-conductive material (such as electrical tape) to prevent short circuiting.
- ▶ Dispose of your battery out of the reach of children.
- ▶ Dispose of the battery at your **Hilti Store**, or consult your local governmental garbage disposal or public health and safety resources for disposal instructions.

Most of the materials from which **Hilti** products are manufactured can be recycled. The materials must be correctly separated before they can be recycled. In many countries, your old tools, machines or appliances can be returned to **Hilti** for recycling. Ask **Hilti Service** or your **Hilti sales representative** for further information.



- ▶ Do not dispose of power tools, electronic equipment or batteries as household waste!



Manufacturer's warranty

► Please contact your local **Hilti** representative if you have questions about the warranty conditions.

Further information

For more information on operation, technology, environment and recycling, follow this link: qr.hilti.com/manual/?id=0000000

This link is also to be found at the end of the operating instructions, in the form of a QR code.

fr Mode d'emploi original

Indications relatives au mode d'emploi

À propos de ce mode d'emploi

- **Avertissement !** Il convient de lire et comprendre toute la documentation jointe, y compris, sans s'y limiter, les instructions, avertissements de sécurité, illustration et spécifications fournies avec le présent produit. Prenez connaissance de toutes les instructions, avertissements de sécurité, illustrations, spécifications et fonctions du produit avant de l'utiliser. Le non-respect de ces instructions peut entraîner un risque d'électrocution, d'incendie, de blessures graves voire de mort. Conservez l'ensemble des avertissements et instructions pour consultation ultérieure.
- Les produits sont destinés aux professionnels et ne doivent être utilisés, entretenus et réparés que par un personnel autorisé et formé. Ce personnel doit être spécialement instruit quant aux dangers inhérents à l'utilisation de l'appareil. Le produit et ses accessoires peuvent s'avérer dangereux s'ils sont utilisés de manière incorrecte par un personnel non qualifié ou de manière non conforme à l'usage prévu.
- La documentation ci-jointe correspond à l'état actuel de la technique à la date d'impression. Veuillez toujours consulter la dernière version sur la page du produit sur le site Internet de Hilti. Pour ce faire, suivez le lien ou scannez le code QR dans la documentation, indiqué par le symbole
- Le mode d'emploi doit toujours rester à portée de main à proximité du produit. Ne pas prêter ou céder le produit à un autre utilisateur sans lui fournir le présent mode d'emploi.

Explication des symboles

Avertissements

Les avertissements attirent l'attention sur des dangers liés à l'utilisation du produit. Les termes de signalisation suivants sont utilisés :



DANGER

DANGER !

► Pour un danger imminent qui peut entraîner de graves blessures corporelles ou la mort.



AVERTISSEMENT

AVERTISSEMENT !

► Pour un danger potentiel qui peut entraîner de graves blessures corporelles ou la mort.



ATTENTION

ATTENTION !

► Pour une situation potentiellement dangereuse pouvant entraîner des blessures corporelles ou des dégâts matériels.

Symboles dans le manuel d'utilisation

Les symboles suivants sont utilisés dans le présent manuel d'utilisation :

	Respecter le manuel d'utilisation
	Pour des conseils d'utilisation et autres informations utiles
	Maniement des matériaux recyclables
	Ne pas jeter les appareils électriques et les accus dans les ordures ménagères
	Hilti Accu Li-Ion
	Hilti Chargeur

Symboles dans les illustrations

Les symboles suivants sont utilisés dans les illustrations :

2	Ces chiffres renvoient à l'illustration correspondante au début du présent manuel d'utilisation.
3	La numérotation détermine la séquence des étapes de travail dans l'image et peut se différencier de celles des étapes de travail dans le texte.
⑪	Les numéros de position sont utilisés dans l'illustration Vue d'ensemble et renvoient aux numéros des légendes dans la section Vue d'ensemble du produit .





Ce signe doit inviter à manier le produit en faisant particulièrement attention.

Symboles spécifiques au produit

Symboles sur le produit

Les symboles suivants peuvent être utilisés sur le produit :

	Le produit prend en charge la technologie NFC qui est compatible avec les plates-formes iOS et Android.
Li-Ion	Accu Li-Ion
	Ne jamais taper sur la batterie avec un objet et ne jamais utiliser la batterie comme outil de percussion.
	Ne pas laisser tomber l'accu. Ne pas utiliser d'accu ayant subi un choc ou d'autres dommages.
	Respecter le manuel d'utilisation
	Série de type d'accu Li-Ion Hilti utilisée. Observer les instructions au chapitre Utilisation conforme à l'usage prévu .
	Si présent sur le produit, c'est que le produit a été certifié conformément aux normes en vigueur par cet organisme de certification pour le marché nord-américain et canadien.

Sécurité

Indications générales de sécurité pour les appareils électriques

⚠ AVERTISSEMENT Lire toutes les consignes de sécurité et instructions, illustrations et caractéristiques techniques, qui accompagnent cet outil électroportatif. Tout manquement à l'observation des instructions suivantes risque de provoquer une électrocution, un incendie et/ou de graves blessures.

Les consignes de sécurité et instructions doivent être intégralement conservées pour les utilisations futures.

La notion d'« outil électroportatif » mentionnée dans les consignes de sécurité se rapporte à des outils électriques raccordés au secteur (avec câble d'alimentation) et à des outils électriques sur accu (sans câble d'alimentation).

Sécurité sur le lieu de travail

- ▶ **Conserver la zone de travail propre et bien éclairée.** Un lieu de travail en désordre ou mal éclairé augmente le risque d'accidents.
- ▶ **Ne pas faire fonctionner les outils électriques en atmosphère explosive et où se trouvent des liquides, des gaz ou poussières inflammables.** Les outils électriques produisent des étincelles qui peuvent enflammer les poussières ou les fumées.
- ▶ **Maintenir les enfants et les personnes présentes à l'écart pendant l'utilisation de l'outil électroportatif.** En cas d'inattention il y a risque de perdre le contrôle de l'appareil.

Sécurité relative au système électrique

- ▶ **La fiche de secteur de l'outil électroportatif doit être adaptée à la prise de courant. Ne jamais modifier la fiche de quelque façon que ce soit. Ne pas utiliser d'adaptateurs avec des outils électriques à branchement de terre.** Des fiches non modifiées et des prises de courant adaptées réduiront le risque de choc électrique.
- ▶ **Éviter le contact physique avec des surfaces mises à la terre tels que tuyaux, radiateurs, cuisinières et réfrigérateurs.** Il y a un risque élevé de choc électrique au cas où votre corps serait relié à la terre.
- ▶ **Ne pas exposer les outils électroportatifs à la pluie ou à l'humidité.** La pénétration d'eau à l'intérieur d'un outil électroportatif augmentera le risque d'un choc électrique.
- ▶ **Ne jamais utiliser le câble de raccordement à d'autres fins que celles prévues, telles que pour porter, accrocher ou débrancher l'outil électroportatif de la prise de courant. Maintenir le câble de raccordement à l'écart de la chaleur, des parties grasses, des bords tranchants ou des parties en mouvement.** Des câbles de raccordement endommagés ou emmêlés augmentent le risque de choc électrique.
- ▶ **Si l'outil électroportatif est utilisé à l'extérieur, utiliser uniquement des câbles de rallonge homologués pour les applications extérieures.** L'utilisation d'un câble de rallonge homologué pour les applications extérieures réduit le risque d'un choc électrique.
- ▶ **Si l'utilisation de l'outil électrique dans un environnement humide ne peut pas être évitée, utiliser un interrupteur de protection contre les courants de court-circuit.** L'utilisation d'un tel interrupteur de protection réduit le risque d'une décharge électrique.

Sécurité des personnes

- ▶ **Rester vigilant, surveiller ce que l'on fait. Faire preuve de bon sens en utilisant l'outil électroportatif. Ne pas utiliser l'outil électroportatif en étant fatigué ou sous l'emprise de l'alcool, de drogues ou de médicaments.** Un moment d'inattention lors de l'utilisation de l'outil électroportatif peut entraîner des blessures graves.
- ▶ **Utiliser un équipement de protection personnel et toujours porter une protection pour les yeux.** Les équipements de protection personnels tels que masque antipoussière, chaussures de sécurité antidérapantes, casque de protection ou protection acoustique suivant l'utilisation de l'outil électroportatif, réduiront le risque de blessures des personnes.
- ▶ **Éviter une mise en service par mégarde. S'assurer que l'outil électroportatif est arrêté avant de le brancher à la source de courant et/ou à l'accu, de le prendre ou de le porter.** Le fait de porter l'outil électroportatif avec le doigt sur l'interrupteur ou de brancher l'appareil sur la source de courant lorsque l'interrupteur est en position de fonctionnement peut entraîner des accidents.
- ▶ **Retirer tout outil de réglage ou toute clé avant de mettre l'outil électroportatif en fonctionnement.** Une clé ou un outil se trouvant sur une partie en rotation peut causer des blessures.



- ▶ **Adopter une bonne posture. Veiller à toujours garder une position stable et équilibrée.** Cela permet un meilleur contrôle de l'outil électroportatif dans des situations inattendues.
- ▶ **S'habiller de manière adaptée. Ne pas porter de vêtements amples ni de bijoux. Garder les cheveux, les vêtements et les gants à distance des parties en mouvement.** Des vêtements amples, des bijoux ou des cheveux longs peuvent être happés par des parties en mouvement.
- ▶ **Si des dispositifs servant à aspirer ou à recueillir les poussières doivent être utilisés, s'assurer qu'ils sont effectivement raccordés et correctement utilisés.** L'utilisation d'un dispositif d'aspiration de la poussière peut réduire les risques dus aux poussières.
- ▶ **Ne pas sous-estimer les mesures de sécurité à prendre et ne pas ignorer sciemment les règles de sécurité applicables aux outils électriques, même si l'on est utilisateur chevronné après de fréquentes utilisations de l'outil électroportatif.** Un manque d'attention peut conduire à de graves blessures en quelques fractions de seconde.

Utilisation et maniement de l'outil électroportatif

- ▶ **Ne pas forcer l'appareil. Utiliser l'outil électroportatif adapté au travail à effectuer.** Un outil électroportatif approprié réalisera mieux le travail et de manière plus sûre au régime pour lequel il a été conçu.
- ▶ **Ne pas utiliser d'outil électroportatif dont l'interrupteur est défectueux.** Tout outil électroportatif qui ne peut plus être mis en ou hors fonctionnement est dangereux et doit être réparé.
- ▶ **Débrancher la fiche de la prise de courant et/ou l'accu amovible avant d'effectuer des réglages sur l'appareil, de changer les accessoires, ou de ranger l'appareil.** Cette mesure de précaution empêche une mise en fonctionnement par mégarde de l'outil électroportatif.
- ▶ **Conserver les outils électroportatifs non utilisés hors de portée des enfants. Ne permettre l'utilisation de l'appareil à aucune personne qui ne soit pas familiarisée avec celui-ci ou qui n'a pas lu ces instructions.** Les outils électroportatifs sont dangereux lorsqu'ils sont entre les mains de personnes non initiées.
- ▶ **Prendre soin des outils électroportatifs et des accessoires. Vérifier que les parties en mouvement fonctionnent correctement et qu'elles ne sont pas coincées, et contrôler si des parties sont cassées ou endommagées de sorte que le bon fonctionnement de l'outil électroportatif s'en trouve entravé. Faire réparer les parties endommagées avant d'utiliser l'appareil.** De nombreux accidents sont dus à des outils électroportatifs mal entretenus.
- ▶ **Garder les outils de coupe affûtés et propres.** Des outils destinés à couper correctement entretenus avec des arêtes de coupe tranchantes sont moins susceptibles de bloquer et sont plus faciles à contrôler.
- ▶ **L'outil électroportatif, les accessoires, les outils amovibles, etc. doivent être utilisés conformément à ces instructions. Tenir également compte des conditions de travail et du travail à réaliser.** L'utilisation des outils électroportatifs à d'autres fins que celles prévues peut entraîner des situations dangereuses.
- ▶ **Veiller à ce que les poignées et surfaces de préhension soient toujours être sèches, propres et exemptes de traces de graisse ou d'huile.** Avec des poignées et surfaces de préhension glissantes, la sécurité et le contrôle de l'outil électroportatif ne peuvent être assurés dans des situations inopinées.

Utilisation et maniement de l'outil sur accu

- ▶ **Ne charger les accus que dans des chargeurs recommandés par le fabricant.** Si un chargeur approprié à un type spécifique d'accu est utilisé avec des accus non recommandés pour celui-ci, il y a risque d'incendie.
- ▶ **Dans les outils électroportatifs, utiliser uniquement les accus spécialement prévus pour ceux-ci.** L'utilisation de tout autre accu peut entraîner des blessures et des risques d'incendie.
- ▶ **Tenir l'accu non utilisé à l'écart de tous objets métalliques tels qu'agrafes, pièces de monnaie, clés, clous, vis ou autres, étant donné qu'un pontage peut provoquer un court-circuit.** Un court-circuit entre les contacts d'accu peut provoquer des brûlures ou un incendie.
- ▶ **En cas d'utilisation abusive, du liquide peut sortir de l'accu. Éviter tout contact avec ce liquide. En cas de contact par mégarde, rincer soigneusement avec de l'eau. Au cas où le liquide rentrerait dans les yeux, consulter en plus un médecin.** Le liquide qui sort de l'accu peut entraîner des irritations de la peau ou causer des brûlures.
- ▶ **Ne pas utiliser d'accu endommagé ou modifié.** Des accus endommagés ou modifiés peuvent avoir un comportement imprévisible et provoquer un incendie, une explosion ou engendrer un risque de blessures.
- ▶ **Ne jamais exposer l'accu au feu ou à des températures trop élevées.** Le feu ou des températures supérieures à 130 °C (265 °F) peuvent provoquer une explosion.
- ▶ **Suivre toutes les instructions de charge et ne jamais charger l'accu ou l'outil sur accu hors de la plage de températures spécifiée dans le manuel d'utilisation.** Une charge inappropriée ou hors de la plage de températures spécifiée risque d'endommager l'accu et accroître le risque d'incendie.

Service

- ▶ **L'outil électroportatif doit uniquement être réparé par un personnel qualifié et seulement avec des pièces de rechange d'origine.** Ceci permet d'assurer la sécurité de l'appareil.
- ▶ **Ne jamais entretenir d'accus endommagés.** Toutes les opérations d'entretien sur des accus doivent exclusivement être réalisées par le fabricant ou un prestataire de service client agréé.

Consignes de sécurité supplémentaires

- ▶ Utiliser le produit et les accessoires uniquement s'ils sont en parfait état.
- ▶ Ne jamais entreprendre de manipulation ni de modification sur le produit ou les accessoires.
- ▶ Risque de blessures dues à la chute d'outils et/ou d'accessoires. Avant de commencer à travailler, contrôler si l'accu et l'accessoire monté sont solidement fixés.
- ▶ Toujours faire preuve de bon sens et de prudence lors de l'utilisation du pistolet à air chaud. Il est impossible de prévoir toutes les situations qui pourraient conduire à un résultat dangereux. Ne pas utiliser cet outil sans avoir compris ce mode d'emploi ou si vous avez l'impression que cette tâche dépasse vos capacités ; le cas échéant, s'adresser au S.A.V. Hilti



- ▶ Les vapeurs engendrées par le chauffage peuvent contenir des produits chimiques dangereux. Par exemple : plomb ou peinture à base de plomb ; certains produits de maçonnerie, les produits contenant des silicates, le bois traité chimiquement ainsi que l'amiante ou les matériaux contenant de l'amiante. Déterminer l'exposition de l'opérateur et des personnes se trouvant à proximité en fonction de la classe de danger des matériaux traités. Prendre les mesures nécessaires pour maintenir l'exposition à un niveau sûr, par exemple en utilisant un système d'évacuation de l'air ou en portant une protection respiratoire appropriée. Mesures générales visant à réduire l'exposition :
 - ▶ Travailler dans un endroit bien ventilé
 - ▶ Éviter le contact prolongé avec les vapeurs nocives
 - ▶ Faire en sorte que les vapeurs soient dirigées loin du visage et du corps
 - ▶ Porter des vêtements de protection et laver les zones exposées à l'eau et au savon
- ▶ Ne jamais regarder directement dans la lumière (LED) et ne jamais orienter la lumière directement dans le visage d'une personne.
- ▶ Toujours garder les ouïes d'aération dégagées. Risque de brûlures si les ouïes d'aération sont couvertes !
- ▶ Ne pas monter de mousqueton de ceinture sur ce produit.
- ▶ Ne pas utiliser les buses comme spatule.
- ▶ Se familiariser avec l'environnement de travail. Les zones masquées, par exemple derrière des murs, plafonds, sols, embrasures et autres revêtements, peuvent contenir des matériaux inflammables qui peuvent s'enflammer en cas d'utilisation du pistolet à air chaud à ces endroits. L'inflammation de ces matériaux peut être difficilement détectable et entraîner des dommages matériels et corporels. Vérifier ces zones avant et après application de chaleur. En cas de doute, utiliser une autre méthode. En cas d'application prolongée, la plaque ou le matériau situé derrière peut s'enflammer. Maintenir le pistolet à air chaud en mouvement afin d'éviter toute température excessive.
- ▶ Les pistolets à air chaud peuvent générer une chaleur sans flamme de 593 °C (1100 °F) ou plus au niveau de la buse. Un contact avec le flux d'air peut entraîner des blessures.
 - ▶ Ne pas diriger le flux d'air du pistolet à air chaud vers les vêtements, les cheveux ou toute autre partie du corps.
 - ▶ Ne pas utiliser le pistolet à air chaud comme sèche-cheveux.
- ▶ Le produit devient chaud pendant le fonctionnement, en particulier la partie avant et la buse.
 - ▶ Ne pas toucher la partie avant du produit à mains nues.
 - ▶ Toujours tenir le pistolet à air chaud par la poignée prévue à cet effet.
 - ▶ Porter des vêtements de protection lors du changement de buse.
 - ▶ Ne pas déposer le produit sur des matériaux inflammables.
 - ▶ Laisser le pistolet à air chaud refroidir à température ambiante avant de le toucher ou de le ranger.
 - ▶ Pendant le refroidissement, placer le pistolet à air chaud dans une zone éloignée de matériaux inflammables afin d'éviter que les matériaux inflammables ne s'enflamment.
- ▶ Ne pas laisser le pistolet à air chaud sans surveillance lorsqu'il est allumé ou en train de refroidir. Un manque d'attention peut entraîner des accidents.
- ▶ Placer le pistolet à air chaud sur une surface stable et plane lorsqu'il n'est pas tenu à la main.
- ▶ Ne pas utiliser le pistolet à air chaud pour réchauffer des aliments, des liquides ou d'autres produits destinés à la consommation humaine.
- ▶ Ne pas utiliser le pistolet à air chaud à proximité de liquides inflammables ou dans des environnements explosifs, par exemple en présence de vapeurs, gaz ou poussières. La chaleur sans flamme du pistolet à air chaud peut enflammer la poussière ou les vapeurs. Retirer de l'espace de travail tous matériaux ou déchets susceptibles de s'enflammer.
- ▶ Protéger les matériaux autour de la zone chauffée afin d'éviter les dommages matériels ou les incendies.
- ▶ Les pistolets à air chaud peuvent enflammer des matériaux inflammables laissés dans l'espace de travail. Prévoir un extincteur à proximité.
- ▶ Ne pas diriger le flux d'air directement sur du verre. Le verre peut se briser et provoquer des dommages matériels ou corporels.
- ▶ Prendre soin des étiquettes et plaques signalétiques. Elles contiennent des informations importantes. Si elles sont illisibles ou manquantes, contacter le service après-vente Hilti.

Consignes de sécurité importantes pour éliminer de la peinture

▶ AVERTISSEMENT ! Ne pas éliminer de peinture contenant du plomb avec un pistolet à air chaud !

- ▶ Faire preuve d'une extrême prudence lors du décapage de vieilles peintures. Avant de commencer à travailler, s'assurer que la peinture à décapier ne contient pas de plomb. En cas de doute, faire vérifier la teneur en plomb de la peinture. Les autorités sanitaires locales ou un spécialiste peuvent le déterminer à l'aide d'un appareil d'analyse des peintures.
- ▶ De la peinture écaillée, des résidus et des vapeurs peuvent contenir du plomb toxique. Un contact de la main à la bouche avec des peintures écaillées ou des résidus peut entraîner l'ingestion de plomb. Même de faibles quantités de plomb peuvent entraîner des lésions irréversibles du cerveau et du système nerveux. Les jeunes enfants et les fœtus sont particulièrement vulnérables à l'empoisonnement au plomb.
- ▶ Faire éliminer les peintures à base de plomb uniquement par un spécialiste !



- Les peintures fabriquées avant 1977 peuvent contenir du plomb.
- Les peintures fabriquées avant 1950 contiennent très probablement du plomb.

▶ Respecter les consignes suivantes lors du retrait des peintures avec un pistolet à air chaud :

- ▶ **Travailler dans un endroit bien ventilé.** Si possible, placer la pièce à travailler à l'air libre. En cas de travaux dans des locaux fermés, ouvrir les fenêtres et installer un ventilateur d'extraction dans une fenêtre. Veiller à ce que le ventilateur fasse circuler l'air de l'intérieur vers l'extérieur. Une bonne ventilation réduit le risque d'inhalation de produits chimiques contenus dans les vapeurs produites lors de l'utilisation d'un pistolet à air chaud ou dans la poussière soulevée lors de l'utilisation du pistolet à air chaud.
- ▶ **Retirer ou recouvrir les tapis, moquettes, meubles, vêtements, ustensiles de cuisine et conduits d'aération** pour éviter les dégâts matériels dus à l'écaillage de la peinture.
- ▶ **Étaler des chiffons dans l'espace de travail pour recueillir les résidus de peinture. Porter des vêtements de protection,** comme des chapeaux, des chemises de travail supplémentaires et des combinaisons. Les déchets de peinture peuvent contenir des produits chimiques dangereux.



- ▶ **Travailler dans une seule pièce à la fois.** Enlever les meubles ou les placer au centre de la pièce et les recouvrir. Calfeutrer les ouvertures de porte avec des toiles de protection pour isoler l'espace de travail du reste du bâtiment.
- ▶ **Les enfants, femmes enceintes ou potentiellement enceintes et les mères qui allaitent ne doivent pas se tenir à proximité de l'espace de travail** tant que tous les travaux ne sont pas terminés et que l'espace de travail n'a pas été nettoyé à fond.
- ▶ **Porter un masque anti-poussières ou un masque respiratoire à deux filtres (poussière et fumée)** approuvé par l'Occupational Safety and Health Administration (OSHA), le National Institute of Safety and Health (NIOSH) ou le United States Bureau of Mines. Veiller à ce que le masque soit bien ajusté et étanche. La barbe et la pilosité faciale peuvent empêcher les masques d'assurer une bonne étanchéité. Changer souvent les filtres. Des masques en papier jetables ne sont pas adaptés !
- ▶ **Faire preuve de prudence lors de l'utilisation du pistolet à air chaud.** Maintenir le pistolet à air chaud en mouvement afin d'éviter toute température excessive. Une chaleur excessive peut provoquer l'inflammation de la peinture et d'autres matériaux et produire des vapeurs qui peuvent être inhalées.
- ▶ **Garder l'environnement de travail propre.** Les débris de peinture et poussières générés lors du décapage de la peinture peuvent contenir des produits chimiques dangereux. Tenir les aliments et boissons à l'écart de l'espace de travail. Se laver les mains, les bras et le visage et se rincer la bouche avant de manger ou de boire. Ne pas fumer et ne pas mâcher de chewing-gum ou de tabac dans l'espace de travail.
- ▶ **Enlever tous les restes de peinture et poussières avec des moyens humides.** Nettoyer les sols, murs, rebords de fenêtre et autres surfaces sur lesquelles la peinture et la poussière se sont accumulées avec de l'eau. Utiliser un chiffon humide pour éviter de soulever la poussière. Utiliser un détergent à haute teneur en phosphate, phosphate trisodique (TSP) ou un substitut du phosphate trisodique pour nettoyer et essuyer l'espace de travail.
- ▶ **Éliminer tous les résidus de peinture de manière appropriée.** Après chaque opération, placer les résidus de peinture dans un double sac en plastique, le fermer avec du ruban adhésif ou des serre-câbles et le jeter dans la poubelle appropriée. Respecter les dispositions légales en vigueur localement en matière d'élimination des déchets.
- ▶ **Quitter ses vêtements de protection et ses chaussures de travail dans l'espace de travail afin d'éviter que la poussière ne se propage dans d'autres parties du bâtiment.** Laver les vêtements de travail séparément. Nettoyer les chaussures avec un chiffon humide et laver le chiffon avec les vêtements de travail. Se laver soigneusement les cheveux et le corps avec de l'eau et du savon.

Utilisation et emploi soigneux des accus

- ▶ **Respecter les consignes de sécurité suivantes relatives à la manipulation et à l'utilisation des accus Li-Ion.** Le non-respect de telles mesures risque de provoquer des irritations cutanées, des blessures graves corrosives, des brûlures chimiques, des incendies et/ou des explosions.
 - ▶ Utiliser les accus uniquement dans un état techniquement impeccable.
 - ▶ Traiter les accus avec soin pour éviter les endommagements et les fuites de liquides très nocifs pour la santé !
 - ▶ Les accus ne doivent en aucun cas être modifiés ou manipulés !
 - ▶ Il est interdit de démonter, écraser, chauffer les accus à une température supérieure à 80 °C (176 °F) ou de les jeter au feu.
 - ▶ Ne pas utiliser ni recharger d'accu ayant subi un choc ou ayant été endommagés de quel-qu'autre manière. Vérifier régulièrement l'absence de traces d'endommagement sur les accus.
 - ▶ Ne jamais utiliser d'accus recyclés ou réparés.
 - ▶ Ne jamais utiliser l'accu ni aucun outil électrique sans fil comme outil de percussion.
 - ▶ Ne jamais exposer les accus à un rayonnement direct du soleil, des températures élevées, des étincelles ou des flammes nues. Il y a alors risque d'explosions.
 - ▶ Ne jamais toucher les pôles avec les doigts, des outils, des bijoux ou tout autre objet métallique. Cela peut endommager l'accu et entraîner des dommages matériels et des blessures.
 - ▶ Maintenir les accus à l'abri de la pluie, de l'humidité et des liquides. Toute pénétration d'humidité risque de provoquer un court-circuit, des chocs électriques, des brûlures, des incendies ou des explosions.
 - ▶ Utiliser exclusivement les chargeurs et outils électriques prévus pour le type d'accu considéré. Respecter à ce sujet les indications du mode d'emploi correspondant.
 - ▶ Ne pas utiliser ni stocker l'accu dans des environnements présentant des risques d'explosion.
 - ▶ Si l'accu est trop chaud pour être touché, il est probablement défectueux. Placer l'accu dans un endroit bien visible, non inflammable et suffisamment éloigné de matériaux inflammables. Laisser l'accu refroidir. Si, après une heure, l'accu est toujours trop chaud pour être saisi, c'est qu'il est défectueux. Contacter le service après-vente **Hilti** ou consulter le document « Instructions de sécurité et d'utilisation pour les accus Li-Ion **Hilti** ».



Respecter les directives spécifiques pour le transport, le stockage et l'utilisation d'accus Li-Ion. 17

Lisez les consignes de sécurité et d'utilisation relatives aux accus lithium-ions **Hilti** que vous trouverez en scannant le code QR marqué du symbole

Description

Vue d'ensemble du produit

1	Touche de sélection de la température	7	Poignée
2	Affichage de la température	8	Accu
3	Œillet	9	Indicateur d'état accu
4	Tube de soufflage	10	Bouton de déverrouillage de l'accu
5	Prise d'air	11	Ouverture de montage
6	Interrupteur Marche / Arrêt	12	Touche d'arrêt



Utilisation conforme à l'usage prévu

Le produit décrit est un pistolet à air chaud sans fil. Le pistolet à air chaud est conçu pour le soudage, la rétraction et le moulage de matières thermoplastiques ainsi que pour le chauffage et le séchage de matériaux.

- Pour ce produit, utiliser exclusivement des accus Li-Ion **Hilti** Nuron de la série B 22. Pour une puissance optimale, **Hilti** recommande pour ce produit les accus indiqués dans le tableau à la fin de ce mode d'emploi.
- Pour ces accus, utiliser exclusivement des chargeurs **Hilti** des séries indiquées dans le tableau à la fin de ce mode d'emploi.

Éléments livrés

Soufflante à air chaud, mode d'emploi

D'autres produits système pour votre produit peuvent être trouvés dans votre **Hilti Store** ou à l'adresse : www.hilti.group

Affichages des accus Li-Ion

Les accus Li-Ion **Hilti** Nuron peuvent afficher l'état de charge, les messages d'erreur et l'état de l'accu.

Affichages de l'état de charge et des messages d'erreur

AVERTISSEMENT

Risque de blessures en cas de chute de l'accu !

- Lorsque l'accu est inséré et après avoir appuyé sur la touche de déverrouillage, s'assurer que l'accu est correctement réenclenché dans le produit utilisé.

Pour consulter un des affichages suivants, appuyer brièvement sur la touche de déverrouillage de l'accu.

L'état de charge et les dysfonctionnements possibles sont affichés en permanence tant que le produit raccordé est allumé.

État	Signification
Quatre (4) DEL sont allumées en vert en continu	État de charge : de 100 % à 71 %
Trois (3) DEL sont allumées en vert en continu	État de charge : de 70 % à 51 %
Deux (2) DEL sont allumées en vert en continu	État de charge : de 50 % à 26 %
Une (1) DEL est allumée en vert en continu	État de charge : de 25 % à 10 %
Une (1) DEL clignote lentement en vert	État de charge : < 10 %
Une (1) DEL clignote rapidement en vert	L'accu Li-Ion est entièrement déchargé. Charger l'accu. Si la DEL continue de clignoter rapidement après la charge de l'accu, s'adresser au S.A.V. Hilti .
Une (1) DEL clignote rapidement en jaune	L'accu Li-Ion ou le produit connecté est surchargé, trop chaud, trop froid ou il y a un autre défaut. Amener le produit et l'accu à la température de travail recommandée et ne pas surcharger le produit pendant son utilisation. Si le message ne disparaît pas, s'adresser au S.A.V. Hilti .
Une (1) DEL est allumée en jaune	L'accu Li-Ion et le produit connecté ne sont pas compatibles. Merci de s'adresser au S.A.V. Hilti .
Une (1) DEL clignote rapidement en rouge	L'accu Li-Ion est verrouillé et ne peut plus être utilisé. Merci de s'adresser au S.A.V. Hilti .

Affichages de l'état de l'accu

Pour consulter l'état de l'accu, maintenir la touche de déverrouillage enfoncée pendant plus de trois secondes. Le système ne détecte aucun dysfonctionnement potentiel de la batterie dû à une utilisation incorrecte, par ex. chute, piqûres, dommages externes dus à la chaleur, etc.

État	Signification
Toutes les DEL forment un chenillard, puis une (1) DEL est allumée en vert en continu.	L'accu peut continuer à être utilisé.
Toutes les DEL forment un chenillard, puis une (1) DEL clignote rapidement en jaune.	L'interrogation de l'état de l'accu n'a pas pu être terminée. Répéter la procédure ou s'adresser au S.A.V. Hilti .
Toutes les DEL forment un chenillard, puis une (1) DEL est allumée en rouge en continu.	Si un produit raccordé peut continuer à être utilisé, la capacité résiduelle de l'accu est inférieure à 50 %. Si un produit raccordé ne peut plus être utilisé, l'accu est arrivé à la fin de sa durée de vie et doit être remplacé. Merci de s'adresser au S.A.V. Hilti .

Caractéristiques techniques

Génération de produit	01
Tension de référence	21,8 V
Poids	0,65 kg (1,43 lb)
Température de stockage	-20 °C ... 70 °C (-4 °F ... 158 °F)
Température de service en cours de service	-17 °C ... 60 °C (1 °F ... 140 °F)



2373118

Batterie


Tension nominale de l'accu	21,6 V
Poids de l'accu	Voir à la fin de ce mode d'emploi
Température de service en cours de service	-17 °C ... 60 °C (1 °F ... 140 °F)
Température de stockage	-20 °C ... 40 °C (-4 °F ... 104 °F)
Température de l'accu au début de la charge	-10 °C ... 45 °C (14 °F ... 113 °F)

Préparatifs **AVERTISSEMENT****Risque de blessures en cas de démarrage inopiné !**

- ▶ Avant d'insérer l'accu, s'assurer que le produit correspondant est bien sur arrêt.
- ▶ Retirer le bloc-accu, avant d'effectuer des réglages sur l'appareil ou de changer les accessoires.

Bien respecter les consignes de sécurité et les avertissements de la présente documentation ainsi que celles figurant sur le produit.

Recharge de l'accu

1. Avant de commencer la charge, lire le mode d'emploi du chargeur.
2. Veiller à ce que les contacts de l'accu et du chargeur sont propres et secs.
3. Charger l'accu à l'aide d'un chargeur homologué.  14

Introduction de l'accu **AVERTISSEMENT****Risque de blessures du fait d'un court-circuit ou de la chute de l'accu !**

- ▶ Avant d'insérer l'accu dans l'appareil, s'assurer que les contacts de l'accu et les contacts sur le produit sont exempts de corps étrangers.
- ▶ S'assurer que l'accu s'encliquette toujours correctement.

1. L'accu doit être entièrement chargé avant la première mise en service.
2. Introduire l'accu dans le produit jusqu'à ce qu'il s'enclenche de manière audible.
3. Vérifier que l'accu est bien en place.

Retrait de l'accu

1. Appuyer sur la touche de déverrouillage de l'accu.
2. Retirer l'accu hors du produit.

Remplacement de la buse **AVERTISSEMENT****Brûlure grave due à la surface brûlante !** Le tube de soufflage devient extrêmement chaud pendant le fonctionnement.

- ▶ Laissez le pistolet à air chaud refroidir avant de changer d'accessoire.

1. Retirez la buse du tube de soufflage.
2. Fixez fermement la buse souhaitée sur le tube de soufflage.

Sécurité anti-chute **AVERTISSEMENT****Risque de blessures** en cas de chute de l'outil et/ou des accessoires !

- ▶ Utiliser uniquement la longue porte-outil **Hilti** recommandée pour votre produit.
- ▶ Contrôler l'état du point de fixation de la longue porte-outil avant chaque utilisation.



Respecter les directives nationales en vigueur pour les travaux en hauteur.

En tant que protection anti-chute pour ce produit, utiliser exclusivement une combinaison de la sécurité anti-chute **Hilti** #2293133 avec la longue porte-outil **Hilti** #2261970.

- ▶ Fixer la sécurité anti-chute dans les ouvertures de montage pour accessoires. Vérifier qu'elle tient bien.
- ▶ Fixer un mousqueton de la longue porte-outil dans la sécurité anti-chute et le second mousqueton sur une structure porteuse. Vérifier qu'elle tient bien.



Respecter les modes d'emploi de la sécurité anti-chute **Hilti** et de la longue porte-outil **Hilti**.

Utilisation

Bien respecter les consignes de sécurité et les avertissements de la présente documentation ainsi que celles figurant sur le produit.



Mise en marche/arrêt 2



Un léger dégagement de fumée peut se produire lors de la première utilisation.

1. Appuyer sur la touche d'arrêt et la maintenir enfoncée.
2. Appuyer sur l'interrupteur Marche/Arrêt et le maintenir actionné.
 - ▶ Le pistolet à air chaud chauffe et expulse de l'air.
3. Relâcher l'interrupteur Marche/Arrêt.
 - ▶ Le pistolet à air chaud cesse de chauffer et de souffler de l'air.
4. Relâcher la touche d'arrêt.
 - ▶ L'interrupteur Marche/Arrêt est bloqué.

Mise en marche/arrêt de la marche continue 3



Un léger dégagement de fumée peut se produire lors de la première utilisation.

1. Appuyer sur la touche d'arrêt et la maintenir enfoncée.
2. Appuyer sur l'interrupteur Marche / Arrêt jusqu'au clic.
 - ▶ Le pistolet à air chaud chauffe et expulse de l'air même lorsque l'interrupteur marche/arrêt est relâché.
3. Appuyer à nouveau sur l'interrupteur Marche / Arrêt.
 - ▶ Le pistolet à air chaud cesse de chauffer et de souffler de l'air.

Régler la température 4



- Le réglage à la mise en service est "Température ambiante".
- L'indicateur de puissance clignote pendant le fonctionnement jusqu'à ce que la température sélectionnée soit atteinte.

1. Appuyer sur la touche de sélection de la température pour modifier le réglage de température.
2. L'indicateur de puissance indique la température réglée.

Affichages

Une LED allumée.	Température ambiante
Deux LED allumées.	300 °C
Trois LED allumées.	500 °C

Nettoyage et entretien



AVERTISSEMENT

Risque de blessures lorsque l'accu est inséré !

- ▶ Toujours retirer l'accu avant tous travaux de nettoyage et d'entretien !

Entretien du produit

- Éliminer avec précaution les saletés récalcitrantes.
- Le cas échéant, nettoyer soigneusement les ouïes d'aération à l'aide d'une brosse sèche et douce.
- Nettoyer le carter de l'appareil uniquement avec un chiffon légèrement humide. Ne pas utiliser de nettoyeurs à base de silicone car ceci pourrait attaquer les pièces en plastique.
- Utiliser un chiffon propre et sec pour nettoyer les contacts du produit.

Entretien des accus Li-ion

- Ne jamais utiliser un accu dont les ouïes d'aération sont bouchées. Nettoyer soigneusement les ouïes d'aération à l'aide d'une brosse sèche et douce.
- Éviter d'exposer inutilement l'accu à la poussière ou à la saleté. Ne jamais exposer l'accu à une forte humidité (par exemple en l'immergeant dans de l'eau ou en le laissant sous la pluie).

Si l'accu a été trempé, le traiter comme un accu endommagé. L'isoler dans un récipient ininflammable et s'adresser au S.A.V. Hilti.

- Veiller à ce que l'accu soit toujours exempt de traces de graisse et d'huile étrangères. Ne pas laisser de la poussière ou de la saleté s'accumuler inutilement sur l'accu. Nettoyer l'accu avec une brosse sèche et douce ou un chiffon propre et sec. Ne pas utiliser de nettoyeurs à base de silicone car ceci pourrait attaquer les pièces en plastique.
- Ne pas toucher les contacts de l'accu et ne pas enlever la graisse appliquée en usine sur les contacts.
- Nettoyer le carter de l'appareil uniquement avec un chiffon légèrement humide. Ne pas utiliser de nettoyeurs à base de silicone car ceci pourrait attaquer les pièces en plastique.

Entretien

- Vérifier régulièrement qu'aucune pièce visible n'est endommagée et que les organes de commande sont parfaitement opérationnels.
- Ne pas utiliser le produit en cas d'endommagements et/ou de dysfonctionnements. Faire immédiatement réparer le produit par le S.A.V. Hilti.
- Après des travaux de nettoyage et d'entretien, vérifier si tous les équipements de protection sont bien en place et fonctionnent parfaitement.



i Pour une utilisation en toute sécurité, utiliser uniquement des pièces de rechange et consommables d'origine. Vous trouverez les pièces de rechange, consommables et accessoires autorisés par **Hilti** convenant pour votre produit dans le centre **Hilti Store** ou sous : www.hilti.group

Transport et stockage des outils sur accu et des accus

Transport

ATTENTION

Mise en marche inopinée lors du transport !

- ▶ Toujours retirer les accus avant de transporter les produits !
- ▶ Retirer le ou les accus.
- ▶ Ne jamais transporter les accus en vrac. Pendant le transport, les accus doivent être protégés des vibrations et chocs excessifs, isolés de tout matériau conducteur ou autre accu, pour éviter qu'ils n'entrent en contact avec d'autres pôles de batterie et qu'ils provoquent un court-circuit. **Tenir compte des prescriptions locales pour le transport d'accus.**
- ▶ Ne pas envoyer les accus par la poste. S'adresser à un service d'expédition s'il faut envoyer des accus non endommagés.
- ▶ Contrôler l'état du produit et des accus avant chaque utilisation, ainsi qu'avant et après tout transport prolongé.

Stockage

AVERTISSEMENT

Endommagement involontaire du fait d'accus défectueux ou de chute d'accu !

- ▶ Toujours retirer les accus avant de stocker les produits !
- ▶ Stocker si possible le produit et les accus dans un endroit sec et frais. Respecter les valeurs limites de température indiquées dans les caractéristiques techniques.
- ▶ Ne pas stocker les accus sur le chargeur. Retirer toujours l'accu du chargeur après la charge.
- ▶ Ne jamais stocker les accus exposés au soleil, sur des sources de chaleur ou derrière des vitres.
- ▶ Stocker le produit et les accus à l'abri des enfants et des personnes non autorisées.
- ▶ Contrôler l'état du produit et des accus avant chaque utilisation, ainsi qu'avant et après tout stockage prolongé.

Aide au dépannage

Pour toutes les défaillances, tenir compte de l'indicateur d'état de charge et d'erreurs de l'accu. Voir le chapitre **Affichages de l'accu Li-Ion**. En cas de défaillances non énumérées dans ce tableau ou auxquelles il n'est pas possible de remédier sans aide, contacter le S.A.V. **Hilti**.

Défaillance	Causes possibles	Solution
Les LED de l'accu n'indiquent rien	L'accu est défectueux.	▶ S'adresser au S.A.V. Hilti .
Le produit ne fonctionne pas.	L'accu n'est pas complètement encliqueté.	▶ Encliqueter l'accu d'un clic audible.
	Souffler trop chaud.	▶ Laisser le produit refroidir.

Recyclage

AVERTISSEMENT

Risque de blessures en cas d'élimination incorrecte ! Émanations possibles de gaz et de liquides nocives pour la santé.

- ▶ Ne pas envoyer ni expédier d'accus endommagés !
- ▶ Recouvrir les raccordements avec un matériau non conducteur pour éviter tout court-circuit.
- ▶ Éliminer les accus en veillant à ce qu'ils soient hors de la portée des enfants.
- ▶ Éliminer l'accu en le déposant auprès du **Hilti Store** local ou s'adresser à l'entreprise de collecte des déchets compétente.

Les produits **Hilti** sont fabriqués pour une grande partie en matériaux recyclables. Le recyclage présuppose un tri adéquat des matériaux. **Hilti** reprend les appareils usagés dans de nombreux pays en vue de leur recyclage. Consulter le service clients **Hilti** ou un conseiller commercial.



- ▶ Ne pas jeter les appareils électriques, électroniques et accus dans les ordures ménagères !

Garantie constructeur

- ▶ En cas de questions sur les conditions de garantie, veuillez vous adresser à votre partenaire **Hilti** local.

Informations complémentaires

Des informations complémentaires concernant l'utilisation, la technique, l'environnement et le recyclage sont disponibles sous le lien ci-dessous : qr.hilti.com/manual/?id=0000000

Ce lien figure également à la fin du mode d'emploi sous forme de code QR.



es Manual de instrucciones original

Información sobre el manual de instrucciones

Acerca de este manual de instrucciones

- **Advertencia** Asegúrese de haber leído y entendido toda la documentación adjunta, incluidas, entre otras, las instrucciones, advertencias de seguridad, ilustraciones y especificaciones que se proporcionan con este producto. Familiarícese con todas las instrucciones, advertencias de seguridad, ilustraciones, especificaciones, componentes y funciones del producto antes de utilizarlo. De lo contrario, existe peligro de descarga eléctrica, incendio, lesiones graves o muerte. Conserve todas las advertencias e instrucciones para futuras consultas.
- Los productos han sido diseñados para usuarios profesionales y solo personal autorizado y debidamente formado puede utilizarlos y llevar a cabo su mantenimiento y conservación. Este personal debe estar especialmente instruido en lo referente a los riesgos de uso. La utilización del producto y sus dispositivos auxiliares puede conllevar riesgos para el usuario en caso de manejarse de forma inadecuada por personal no cualificado o utilizarse para usos diferentes a los que están destinados.
- La documentación adjunta corresponde al estado actual de la técnica en el momento de la impresión. Compruebe siempre la última versión en la página del producto de la página web de Hilti. Para ello siga el enlace o escanee el código QR que figura en esta documentación y que se indica con el símbolo
- El manual de instrucciones siempre debe permanecer a mano junto al producto. No entregue nunca el producto a otras personas sin este manual de instrucciones.

Explicación de símbolos

Avisos

Las advertencias de seguridad advierten de peligros derivados del manejo del producto. Se utilizan las siguientes palabras de peligro:

PELIGRO

PELIGRO !

- Término utilizado para un peligro inminente que puede ocasionar lesiones graves o incluso la muerte.

ADVERTENCIA

ADVERTENCIA !

- Término utilizado para un posible peligro que puede ocasionar lesiones graves o incluso la muerte.

PRECAUCIÓN

PRECAUCIÓN !

- Término utilizado para una posible situación peligrosa que puede ocasionar lesiones o daños materiales.

Símbolos en el manual de instrucciones

En este manual de instrucciones se utilizan los siguientes símbolos:

	Consulte el manual de instrucciones
	Indicaciones de uso y demás información de interés
	Manejo con materiales reutilizables
	No tire las herramientas eléctricas y las baterías junto con los desperdicios domésticos
	Hilti Batería de Ion-Litio
	Hilti Cargador

Símbolos en las figuras

En las figuras se utilizan los siguientes símbolos:

	Estos números hacen referencia a la figura correspondiente incluida al principio de este manual de instrucciones.
	La numeración describe el orden de los pasos de trabajo en la imagen y puede ser diferente de los pasos descritos en el texto.
	En la figura Vista general se utilizan números de posición y los números de la leyenda están explicados en el apartado Vista general del producto .
	Preste especial atención a este símbolo cuando utilice el producto.

Símbolos del producto

Símbolos en el producto

En el producto se pueden utilizar los siguientes símbolos:

	El producto es apto para tecnología NFC, que es compatible con las plataformas iOS y Android.
--	---



Li-Ion	Batería de Ion-Litio
	Nunca golpee la batería con un objeto ni utilice la batería como herramienta de percusión.
	No deje que la batería se caiga. No utilice baterías que hayan recibido algún golpe ni que estén dañadas de alguna otra forma.
	Consulte el manual de instrucciones
	Serie utilizada de baterías de Ion-Litio Hilti . Consulte las indicaciones recogidas en el capítulo Uso conforme a las prescripciones .
	Si está en el producto, significa que el organismo de certificación lo ha certificado para el mercado estadounidense y canadiense según las normas vigentes.

Seguridad

Indicaciones generales de seguridad para herramientas eléctricas

⚠ ADVERTENCIA Lea con atención todas las indicaciones de seguridad, instrucciones, ilustraciones y datos técnicos correspondientes a esta herramienta eléctrica. La negligencia en el cumplimiento de las instrucciones que se describen a continuación podría provocar descargas eléctricas, incendios o lesiones graves.

Conserve todas las instrucciones e indicaciones de seguridad para futuras consultas.

El término «herramienta eléctrica» empleado en las indicaciones de seguridad se refiere a herramientas eléctricas portátiles, ya sea con cable de red o sin cable, en caso de ser accionadas por batería.

Seguridad en el puesto de trabajo

- ▶ **Mantenga su área de trabajo limpia y bien iluminada.** El desorden o una iluminación deficiente de las zonas de trabajo pueden provocar accidentes.
- ▶ **No utilice la herramienta eléctrica en un entorno con peligro de explosión en el que se encuentren líquidos, gases o polvos inflamables.** Las herramientas eléctricas producen chispas que pueden llegar a inflamar los materiales en polvo o vapores.
- ▶ **Mantenga alejados a los niños y otras personas de su puesto de trabajo al emplear la herramienta eléctrica.** Una distracción le puede hacer perder el control sobre la herramienta.

Seguridad eléctrica

- ▶ **El enchufe de la herramienta eléctrica debe corresponder a la toma de corriente utilizada. No se deberá modificar el enchufe en forma alguna. No utilice enchufes adaptadores para las herramientas eléctricas con puesta a tierra.** Los enchufes sin modificar adecuados a las respectivas tomas de corriente reducen el riesgo de descarga eléctrica.
- ▶ **Evite el contacto corporal con superficies que tengan puesta a tierra, como pueden ser tubos, calefacciones, cocinas y frigoríficos.** El riesgo a quedar expuesto a una sacudida eléctrica es mayor si su cuerpo tiene contacto con tierra.
- ▶ **No exponga las herramientas eléctricas a la lluvia y evite que penetren líquidos en su interior.** El riesgo de recibir descargas eléctricas aumenta si penetra agua en la herramienta eléctrica.
- ▶ **No utilice el cable de conexión para transportar o colgar la herramienta eléctrica ni tire de él para extraer el enchufe de la toma de corriente. Mantenga el cable de conexión alejado de fuentes de calor, aceite, aristas afiladas o piezas móviles.** Los cables de conexión dañados o enredados pueden provocar descargas eléctricas.
- ▶ **Cuando trabaje al aire libre con una herramienta eléctrica, utilice exclusivamente un alargador adecuado para exteriores.** La utilización de un alargador adecuado para su uso en exteriores evita el riesgo de una descarga eléctrica.
- ▶ **Cuando no pueda evitarse el uso de la herramienta eléctrica en un entorno húmedo, utilice un interruptor de corriente de defecto.** La utilización de un interruptor de corriente de defecto evita el riesgo de una descarga eléctrica.

Seguridad de las personas

- ▶ **Permanezca atento, preste atención durante el trabajo y utilice la herramienta eléctrica con prudencia. No utilice una herramienta eléctrica si está cansado, ni tampoco después de haber consumido alcohol, drogas o medicamentos.** Un momento de descuido al utilizar la herramienta eléctrica podría producir graves lesiones.
- ▶ **Utilice el equipo de seguridad personal adecuado y lleve siempre gafas protectoras.** El riesgo de lesiones se reduce considerablemente si, según el tipo y la aplicación de la herramienta eléctrica empleada, se utiliza un equipo de seguridad personal adecuado como una máscara antipolvo, calzado de protección con suela antideslizante, casco de protección o protección para los oídos.
- ▶ **Evite una puesta en servicio fortuita de la herramienta. Asegúrese de que la herramienta eléctrica está apagada antes de alzarla, transportarla, conectarla a la alimentación de tensión o insertar la batería.** Si transporta la herramienta eléctrica sujetándola por el interruptor o si introduce el enchufe en la alimentación de tensión con la herramienta conectada, podría producirse un accidente.
- ▶ **Retire las herramientas de ajuste o llaves fijas antes de conectar la herramienta eléctrica.** Una herramienta o llave colocada en una pieza giratoria puede producir lesiones al ponerse en funcionamiento.
- ▶ **Evite adoptar posturas forzadas. Procure que la postura sea estable y manténgase siempre en equilibrio.** De esta forma podrá controlar mejor la herramienta eléctrica en caso de presentarse una situación inesperada.
- ▶ **Utilice ropa adecuada. No utilice vestimenta amplia ni joyas. Mantenga su pelo, vestimenta y guantes alejados de las piezas móviles.** La vestimenta suelta, las joyas y el pelo largo se pueden enganchar con las piezas en movimiento.
- ▶ **Siempre que sea posible montar equipos de aspiración o captación de polvo, asegúrese de que están conectados y de que se utilizan correctamente.** El uso de un sistema de aspiración de polvo reduce los riesgos derivados del polvo.
- ▶ **No se crea a salvo de cualquier riesgo ni pase por alto ninguna de las normas de seguridad relativas a las herramientas eléctricas, aun cuando esté familiarizado con la herramienta eléctrica y tenga larga experiencia en su uso.** Una actuación negligente puede provocar lesiones graves en cuestión de segundos.



Uso y manejo de la herramienta eléctrica

- ▶ **No sobrecargue la herramienta. Utilice la herramienta eléctrica adecuada para el trabajo que se dispone a realizar.** Con la herramienta eléctrica apropiada podrá trabajar mejor y de modo más seguro dentro del margen de potencia indicado.
- ▶ **No utilice herramientas eléctricas con el interruptor defectuoso.** Las herramientas eléctricas que no se puedan conectar o desconectar son peligrosas y deben repararse.
- ▶ **Extraiga el enchufe de la toma de corriente o retire la batería extraíble antes de efectuar cualquier ajuste en la herramienta, cambiar accesorios o en caso de no utilizar la herramienta durante un tiempo prolongado.** Esta medida preventiva evita el riesgo de arranque accidental de la herramienta eléctrica.
- ▶ **Guarde las herramientas eléctricas que no utilice fuera del alcance de los niños. No permita utilizar la herramienta a ninguna persona que no esté familiarizada con ella o que no haya leído este manual de instrucciones.** Las herramientas eléctricas utilizadas por personas inexpertas son peligrosas.
- ▶ **Cuide su herramienta eléctrica y los accesorios adecuadamente. Compruebe si las piezas móviles de la herramienta funcionan correctamente y sin atascarse, y si existen piezas rotas o deterioradas que pudieran afectar al funcionamiento de la herramienta eléctrica. Encargue la reparación de las piezas defectuosas antes de usar la herramienta eléctrica.** Muchos accidentes son consecuencia de un mantenimiento inadecuado de la herramienta eléctrica.
- ▶ **Mantenga los útiles limpios y afilados.** Las herramientas de corte bien cuidadas y con aristas afiladas se atascan menos y se guían con más facilidad.
- ▶ **Utilice la herramienta eléctrica, los accesorios, útiles de inserción, etc., de acuerdo con estas instrucciones. Para ello, tenga en cuenta las condiciones de trabajo y la tarea que se va a realizar.** El uso de herramientas eléctricas para trabajos diferentes de aquellos para los que han sido concebidas puede resultar peligroso.
- ▶ **Mantenga las empuñaduras y las superficies de contacto secas, limpias y sin residuos de aceite o grasa.** Las empuñaduras y superficies de contacto resbaladizas impiden manejar y controlar la herramienta eléctrica con seguridad en situaciones imprevistas.

Uso y manejo de la herramienta de batería

- ▶ **Cargue las baterías únicamente con los cargadores recomendados por el fabricante.** Existe riesgo de incendio al intentar cargar baterías de un tipo diferente al previsto para el cargador.
- ▶ **Utilice únicamente las baterías previstas para la herramienta eléctrica.** El uso de otro tipo de baterías puede provocar daños e incluso incendios.
- ▶ **Si no utiliza la batería, guárdela separada de clips, monedas, llaves, clavos, tornillos y demás objetos metálicos que pudieran puentear sus contactos.** El cortocircuito de los contactos de la batería puede causar quemaduras o incendios.
- ▶ **La utilización inadecuada de la batería puede provocar fugas de líquido. Evite el contacto con este líquido. En caso de contacto accidental, enjuague el área afectada con abundante agua. En caso de contacto con los ojos, acuda además inmediatamente a un médico.** El líquido de la batería puede irritar la piel o producir quemaduras.
- ▶ **No utilice baterías dañadas o modificadas.** Una batería dañada o modificada puede tener un comportamiento imprevisible y provocar incendios, explosiones o riesgo de lesiones.
- ▶ **No exponga la batería al fuego o a temperaturas muy elevadas.** El fuego o las temperaturas superiores a 130 °C (265 °F) pueden provocar una explosión.
- ▶ **Siga todas las instrucciones relativas a la carga y no cargue nunca la batería o la herramienta de batería excediendo el rango de temperatura indicado en el manual de instrucciones.** Una carga incorrecta o fuera del rango de temperatura permitido puede destruir la batería y aumentar el riesgo de incendio.

Servicio Técnico

- ▶ **Solicite que un profesional lleve a cabo la reparación de su herramienta eléctrica y que utilice exclusivamente piezas de repuesto originales.** Solamente así se garantiza la seguridad de la herramienta.
- ▶ **No realice nunca el mantenimiento de baterías dañadas.** Cualquier mantenimiento de las baterías debe llevarlo a cabo el fabricante o un centro del Servicio de Atención al Cliente autorizado.

Indicaciones de seguridad adicionales

- ▶ Utilice el producto y los accesorios solo si están en perfecto estado técnico.
- ▶ No efectúe nunca manipulaciones o modificaciones en el producto ni en los accesorios.
- ▶ - Riesgo de lesiones en caso de caída de herramientas o accesorios. Antes de iniciar el trabajo, compruebe que la batería y los accesorios montados estén bien fijados.
- ▶ Utilice siempre el sentido común y tenga cuidado al utilizar la pistola de aire caliente. No es posible prever todas las situaciones que podrían dar lugar a un resultado peligroso. No utilice esta herramienta si no comprende este manual de instrucciones o si considera que el trabajo está por encima de sus capacidades. póngase en contacto con el Servicio Técnico de Hilti
- ▶ Los vapores producidos por el calentamiento pueden contener sustancias químicas peligrosas, como, por ejemplo, plomo o pinturas basadas en plomo; determinados productos de albañilería, productos que contengan silicato, madera tratada químicamente y amianto o materiales que contengan asbesto. La exposición del usuario y las personas circundantes debe regularse según la clase de peligro de los materiales con los que se trabaje. Tome las medidas necesarias para mantener la exposición a un nivel seguro, p. ej., mediante el uso de un sistema de ventilación por extracción o una mascarilla adecuada. Las medidas genéricas para reducir la exposición son, entre otras:
 - ▶ trabajar en un espacio bien ventilado;
 - ▶ evitar el contacto prolongado con los vapores tóxicos;
 - ▶ desviar los vapores de la cara y el cuerpo;
 - ▶ usar prendas protectoras y lavar con agua y jabón las zonas expuestas.
- ▶ No mire directamente hacia la luz (LED) ni dirija la luz a la cara de otras personas.
- ▶ Mantenga siempre las rejillas de ventilación despejadas. Riesgo de quemaduras debido a rejillas de ventilación cubiertas. .
- ▶ No monte colgadores de cinturón en este producto.
- ▶ No utilice las boquillas como espátula.
- ▶ Conozca su entorno de trabajo. Las zonas ocultas, por ejemplo, detrás de paredes, techos, suelos y otros revestimientos, pueden contener materiales inflamables que pueden encenderse cuando se utiliza la pistola de aire caliente en estas zonas. La ignición de estos materiales



puede no ser fácilmente reconocible y provocar daños materiales y personales. Compruebe estas zonas antes y después de aplicar calor. En caso de duda, utilice otro método. Si se detiene en un lugar, el panel o el material que hay detrás puede incendiarse. Mantenga la pistola de aire caliente en movimiento para evitar temperaturas excesivas.

- ▶ Las pistolas de aire caliente pueden generar un calor sin llama de 593 °C (1100 °F) o más en la boquilla. El contacto con el flujo de aire puede provocar lesiones.
 - ▶ No dirija el flujo de aire de la pistola de aire caliente hacia la ropa, el pelo u otras partes del cuerpo.
 - ▶ No utilice la pistola de aire caliente como secador de pelo.
- ▶ El producto se calienta durante el funcionamiento, especialmente en la parte delantera y la boquilla.
 - ▶ No toque la parte delantera del producto con las manos sin protección.
 - ▶ Sujete siempre la pistola de aire caliente por la empuñadura suministrada.
 - ▶ Utilice prendas protectoras cuando cambie la boquilla.
 - ▶ No coloque el producto sobre materiales inflamables.
 - ▶ Deje que la pistola de aire caliente se enfríe a temperatura ambiente antes de tocarla o guardarla.
 - ▶ Coloque la pistola de aire caliente en una zona alejada de materiales inflamables mientras se está enfriando para evitar que estos se inflamen.
- ▶ No deje la pistola de aire caliente desatendida mientras esté encendida o enfriándose. Un descuido puede provocar accidentes.
- ▶ Coloque la pistola de aire caliente sobre una superficie estable y nivelada cuando no la tenga en la mano.
- ▶ No utilice la pistola de aire caliente para calentar alimentos, líquidos u otros productos destinados al consumo humano.
- ▶ No utilice la pistola de aire caliente cerca de líquidos inflamables o en entornos con atmósfera potencialmente explosiva, por ejemplo, en presencia de vapores, gases o polvo. El calor sin llama de la pistola de aire caliente puede inflamar el polvo o los vapores. Retire del área de trabajo los materiales o residuos que puedan inflamarse.
- ▶ Proteja los materiales alrededor de la zona calentada para evitar daños materiales o incendios.
- ▶ Las pistolas de aire caliente pueden inflamar los materiales inflamables que queden en el área de trabajo. Mantenga cerca un extintor de incendios.
- ▶ No apunte el chorro de aire directamente al cristal. El cristal puede romperse y causar daños materiales o personales.
- ▶ Conserve las etiquetas y las placas de identificación. Contienen información importante. Si son ilegibles o faltan, póngase en contacto con el Servicio Técnico de Hilti.

Indicaciones de seguridad importantes para retirar la pintura

- ▶ **¡ADVERTENCIA! No retire la pintura con plomo con una pistola de aire caliente.**
 - ▶ Tenga mucho cuidado al retirar pintura vieja. Antes de empezar a trabajar, asegúrese de que la pintura que desea retirar no contiene plomo. En caso de duda, haga que analicen el contenido de plomo de la pintura. La autoridad sanitaria local o un especialista pueden determinarlo con un analizador de pintura.
 - ▶ La pintura desconchada, los residuos y los vapores pueden contener plomo tóxico. El contacto de la mano con la pintura descascarillada o con residuos puede provocar la ingestión de plomo. Incluso pequeñas cantidades de plomo pueden provocar daños irreversibles en el cerebro y el sistema nervioso. Los niños pequeños y los nonatos son especialmente susceptibles de sufrir intoxicación por plomo.
 - ▶ Solo un especialista puede retirar la pintura con plomo.



- Las pinturas fabricadas antes de 1977 pueden contener plomo.
- Es muy probable que las pinturas fabricadas antes de 1950 contengan plomo.

- ▶ **Tenga en cuenta las siguientes indicaciones cuando retire pintura con una pistola de aire caliente:**
 - ▶ **Trabaje en un espacio bien ventilado.** Si es posible, saque la pieza de trabajo al exterior. Si trabaja en interiores, abra las ventanas y coloque un extractor en una ventana. Asegúrese de que el ventilador transporta el aire del interior al exterior. Una buena ventilación reduce el riesgo de inhalar las sustancias químicas contenidas en los vapores producidos al utilizar una pistola de aire caliente o el polvo levantado al utilizarla.
 - ▶ **Retire o cubra alfombras, moquetas, muebles, ropa, utensilios de cocina y conductos de ventilación,** para evitar daños materiales causados por la pintura descascarillada.
 - ▶ **Coloque paños en la zona de trabajo para recoger los restos de pintura. Utilice prendas protectoras,** como gorros, camisas de trabajo adicionales y monos. Los residuos de pintura pueden contener sustancias químicas peligrosas.
 - ▶ **Trabaje solo en una estancia cada vez.** Retire los muebles o colóquelos en el centro de la sala y cúbralos. Selle las puertas con telas para aislar la zona de trabajo del resto del edificio.
 - ▶ **Los niños, las mujeres embarazadas o potencialmente embarazadas y las madres lactantes no deben estar cerca de la zona de trabajo** hasta que todo el trabajo haya finalizado y la zona de trabajo se haya limpiado a fondo.
 - ▶ **Utilice una máscara antipolvo o una mascarilla con dos filtros (polvo y humo),** aprobado por la Administración de Seguridad y Salud Ocupacional (OSHA), el Instituto Nacional de Seguridad y Salud (NIOSH) o la Oficina de Minas de Estados Unidos. Asegúrese de que la máscara se ajusta y sella correctamente. La barba y el vello facial pueden impedir que las máscaras sellen correctamente. Cambie los filtros con frecuencia. Las máscaras de papel desechables no son adecuadas.
 - ▶ **Tenga cuidado al utilizar la pistola de aire caliente.** Mantenga la pistola de aire caliente en movimiento para evitar temperaturas excesivas. El calor excesivo puede hacer que la pintura y otros materiales se incendien y produzcan vapores que pueden ser inhalados.
 - ▶ **Mantenga su entorno de trabajo limpio.** La abrasión y el polvo producidos al quitar la pintura pueden contener sustancias químicas peligrosas. Mantenga alimentos y bebidas lejos de la zona de trabajo. Lávese las manos, los brazos y la cara y enjuáguese la boca antes de comer y beber. No fumar ni masticar chicle o tabaco en la zona de trabajo.
 - ▶ **Retire todos los restos de pintura y el polvo en húmedo.** Limpie en húmedo los suelos, paredes, alféizares de ventanas y otras superficies donde se haya acumulado pintura y polvo con un paño húmedo para evitar levantar polvo. Utilice un detergente con alto contenido en fosfatos, fosfato trisódico (TSP) o un sustituto del fosfato trisódico para limpiar y frotar la zona de trabajo.



- ▶ **Retire correctamente todos los residuos de pintura.** Después de cada operación, coloque los residuos de pintura en una bolsa de plástico doble, ciérrela con cinta adhesiva o abrazaderas para cables y deséchela en el contenedor adecuado. Tenga en cuenta la normativa local en materia de eliminación de residuos.
- ▶ **Quítese las prendas protectoras y el calzado de trabajo en la zona de trabajo para evitar que el polvo se transfiera a otras partes del edificio.** Lave la ropa de trabajo por separado. Limpie los zapatos con un paño húmedo y lave el paño junto con la ropa de trabajo. Lávese bien el pelo y el cuerpo con agua y jabón.

Manipulación y utilización segura de las baterías

- ▶ **Tenga en cuenta las siguientes indicaciones de seguridad para el manejo y el uso seguros de las baterías de Ion-Litio.** En caso de no respetarlas, puede llevar a irritación de la piel, lesiones corrosivas graves, quemaduras químicas, fuego o explosiones.
- ▶ Utilice las baterías solo si están en perfecto estado técnico.
- ▶ Manipule las baterías con cuidado a fin de evitar daños o escapes de líquido altamente peligroso para su salud.
- ▶ Las baterías no deben modificarse ni manipularse en ningún caso.
- ▶ Las baterías no se deben destruir, comprimir, calentar por encima de 80 °C (176 °F) o quemar.
- ▶ No utilice ni cargue baterías que hayan recibido algún golpe ni que estén dañadas de alguna otra forma. Compruebe con regularidad si las baterías presentan signos de daños.
- ▶ No utilice nunca baterías recicladas o reparadas.
- ▶ Nunca utilice la batería o una herramienta eléctrica de batería como herramienta de percusión.
- ▶ No exponga nunca las baterías a radiación solar directa, temperaturas elevadas, chispas o llamas abiertas. Esto puede provocar explosiones.
- ▶ No toque los polos de la batería con los dedos, con herramientas, con joyas o con otros objetos conductores de la electricidad. Esto puede dañar la batería y provocar otros daños materiales y lesiones.
- ▶ Mantenga las baterías alejadas de la lluvia, la humedad y los líquidos. Si entra humedad, pueden producirse cortocircuitos, descargas eléctricas, quemaduras, incendios y explosiones.
- ▶ Utilice únicamente cargadores y herramientas eléctricas concebidos para este tipo de baterías. Para ello, consulte las indicaciones recogidas en el manual de instrucciones correspondiente.
- ▶ No utilice ni almacene la batería en entornos con peligro de explosión.
- ▶ Si al tocar la batería detecta que está muy caliente, puede deberse a una avería en la misma. Coloque la batería en un lugar visible, no inflamable, a suficiente distancia de otros materiales inflamables. Deje que la batería se enfríe. Si, después de una hora, la herramienta sigue estando demasiado caliente para tocarla, significa que está averiada. Diríjase al Servicio Técnico de **Hilti** o lea el documento «Indicaciones de seguridad y uso de las baterías de Ion-Litio de **Hilti**».



Tenga en cuenta las directivas especiales aplicables al transporte, almacenamiento y uso de las baterías de Ion-Litio. 25

Lea las instrucciones de seguridad y uso de las baterías de Ion-Litio de **Hilti**, que puede encontrar escaneando el código QR que se indica con el símbolo .

Descripción

Vista general del producto

Botón de selección de temperatura	Empuñadura
Indicador de temperatura	Batería
Ojal	Indicador de estado de la batería
Tubo de descarga	Tecla de desbloqueo de la batería
Entrada de aire	Abertura de montaje
Interruptor de conexión y desconexión	Tecla de bloqueo

Uso conforme a las prescripciones

El producto descrito es una pistola de aire caliente a batería. La pistola de aire caliente está pensada para soldar, contraer y moldear termoplásticos, así como para calentar y secar materiales.

- Para este producto utilice únicamente baterías de Ion-Litio de la serie B 22 de **Hilti** Nuron. Para garantizar que este producto ofrece un rendimiento óptimo, **Hilti** recomienda utilizar las baterías indicadas en la tabla que encontrará al final de este manual de instrucciones.
- Para estas baterías utilice exclusivamente los cargadores **Hilti** de las series indicadas en la tabla que encontrará al final de este manual de instrucciones.

Suministro

Pistola de aire caliente, manual de instrucciones

Encontrará otros productos del sistema autorizados para su producto en su **Hilti Store** o en Internet, en: www.hilti.group

Visualización de la batería de Ion-Litio

Las baterías de Ion-Litio de **Hilti** Nuron pueden mostrar el estado de carga, los mensajes de error y el estado de la batería.

Visualización del estado de carga y de los mensajes de error

ADVERTENCIA

Riesgo de lesiones por la caída de la batería

- ▶ Con la batería colocada, asegúrese tras pulsar la tecla de desbloqueo de que la batería vuelva a encajar correctamente en el producto empleado.

Para recibir una de las siguientes indicaciones, pulse brevemente la tecla de desbloqueo de la batería.

El estado de carga y las posibles averías también se muestran de forma permanente mientras el producto esté conectado.



Estado	Significado
Cuatro (4) LED encendidos permanentemente en verde	Estado de carga: 100 % a 71 %
Tres (3) LED encendidos permanentemente en verde	Estado de carga: 70 % a 51 %
Dos (2) LED se iluminan permanentemente en verde	Estado de carga: 50 % a 26 %
Un (1) LED está encendido permanentemente en verde	Estado de carga: 25 % a 10 %
Un (1) LED parpadea lentamente en verde	Estado de carga: < 10 %
Un (1) LED parpadea rápidamente en verde	La batería de Ion-Litio está totalmente descargada. Cargue la batería. Si tras cargar la batería el LED sigue parpadeando rápidamente, diríjase al Servicio Técnico de Hilti .
Un (1) LED parpadea rápidamente en amarillo	La batería de Ion-Litio o el producto conectado a ella están sobrecargados, demasiado calientes, demasiado fríos o existe otro error. Ponga el producto y la batería en la temperatura de trabajo recomendada y no sobrecargue el producto durante su uso. Si sigue viendo el mensaje, diríjase al Servicio Técnico de Hilti .
Un (1) LED está encendido en amarillo	La batería de Ion-Litio y el producto conectado a ella no son compatibles. Diríjase al servicio técnico de Hilti .
Un (1) LED parpadea rápidamente en rojo	La batería de Ion-Litio está bloqueada y no puede seguir utilizándose. Diríjase al servicio técnico de Hilti .

Visualización del estado de la batería

Para consultar el estado de la batería, mantenga la tecla de desbloqueo pulsada durante más de 3 segundos. El sistema no detecta un posible funcionamiento incorrecto de la batería debido a un mal uso, como caídas, hendiduras, daños por calor externo, etc.

Estado	Significado
Todos los LED se encienden como luz en movimiento y, a continuación, se enciende un (1) LED permanentemente en verde.	La batería puede seguir utilizándose.
Todos los LED se encienden como luz en movimiento y, a continuación, parpadea un (1) LED rápidamente en amarillo.	No se ha podido completar la consulta sobre el estado de la batería. Repita la operación o diríjase al Servicio Técnico de Hilti .
Todos los LED se encienden como luz en movimiento y, a continuación, parpadea un (1) LED permanentemente en rojo.	Quando un producto conectado puede seguir utilizándose, la capacidad restante de la batería es inferior al 50 %. Cuando un producto conectado ya no puede seguir utilizándose, la batería ha llegado al final de su vida útil y debe ser sustituida. Diríjase al servicio técnico de Hilti .

Datos técnicos

Generación de productos	01
Tensión nominal	21,8 V
Peso	0,65 kg (1,43 lb)
Temperatura de almacenamiento	-20 °C ... 70 °C (-4 °F ... 158 °F)
Temperatura ambiente en funcionamiento	-17 °C ... 60 °C (1 °F ... 140 °F)

Batería

Tensión de servicio de la batería	21,6 V
Peso batería	Véase al final del manual de instrucciones
Temperatura ambiente en funcionamiento	-17 °C ... 60 °C (1 °F ... 140 °F)
Temperatura de almacenamiento	-20 °C ... 40 °C (-4 °F ... 104 °F)
Temperatura de la batería al comenzar la carga	-10 °C ... 45 °C (14 °F ... 113 °F)

Preparación del trabajo

ADVERTENCIA


Riesgo de lesiones por arranque involuntario

- ▶ Antes de insertar la batería, asegúrese de que el producto correspondiente esté desconectado.
- ▶ Retire la batería antes de realizar ajustes en la herramienta o de cambiar accesorios.

Respete las indicaciones de seguridad y las advertencias presentes en esta documentación y en el producto.



Carga de la batería

1. Antes de cargarla, lea el manual de instrucciones del cargador.
2. Asegúrese de que los contactos de la batería y del cargador estén limpios y secos.
3. Cargue la batería en un cargador autorizado.  22

Colocación de la batería

ADVERTENCIA

Riesgo de lesiones por cortocircuito o caída de la batería.

- ▶ Antes de insertar la batería, asegúrese de que los contactos de la batería y del producto estén libres de cuerpos extraños.
- ▶ Asegúrese de que la batería encaje siempre correctamente.

1. Cargue por completo la batería antes de la primera puesta en servicio.
2. Introduzca la batería en el producto hasta que encaje de forma audible.
3. Compruebe que la batería está bien colocada.

Extracción de la batería

1. Pulse la tecla de desbloqueo de la batería.
2. Retire la batería del producto.

Sustitución de la boquilla

ADVERTENCIA

Quemaduras graves debido a la superficie caliente. El tubo de descarga se calienta mucho durante el funcionamiento.

- ▶ Deje que la pistola de aire caliente se enfríe antes de cambiar los accesorios.


1. Extraiga la boquilla acoplada del tubo de descarga.
2. Inserte firmemente la boquilla deseada en el tubo de descarga.

Protección frente a caídas

ADVERTENCIA


Riesgo de lesiones por caída de herramientas o accesorios.

- ▶ Utilice únicamente la cuerda de amarre para herramientas **Hilti** recomendada para su producto.
- ▶ Antes de cada uso, compruebe que el punto de fijación de la cuerda de amarre para herramientas no presente posibles daños.

-  Tenga en cuenta las directivas nacionales para trabajos en altura.

Para este producto, utilice únicamente como protección frente a caídas una combinación de la protección anticaídas #2293133 de **Hilti** con la cuerda de amarre para herramientas #2261970 de **Hilti**.


- ▶ Fije la protección anticaídas a las aberturas de montaje para accesorios. Compruebe que quede fijada de forma segura.
- ▶ Fije un mosquetón de la cuerda de amarre para herramientas a la protección anticaídas y el segundo mosquetón a una estructura portante. Compruebe que ambos mosquetones queden fijados de forma segura.

-  Tenga en cuenta los manuales de instrucciones de la protección anticaídas de **Hilti** y de la cuerda de amarre para herramientas de **Hilti**.

Manejo


Respete las indicaciones de seguridad y las advertencias presentes en esta documentación y en el producto.

Interruptor de conexión y desconexión

-  Durante la primera aplicación, puede producirse un poco de humo.

1. Presione y mantenga presionado la tecla de bloqueo.
2. Pulse y mantenga pulsado el interruptor de conexión y desconexión.
 - ▶ La pistola de aire caliente calienta y expulsa aire.
3. Suelte el interruptor de conexión y desconexión.
 - ▶ La pistola de aire caliente deja de calentar y expulsar aire.
4. Suelte la tecla de bloqueo.
 - ▶ El interruptor de conexión y desconexión está bloqueado.

Marcha continua de conexión y desconexión

-  Durante la primera aplicación, puede producirse un poco de humo.

1. Presione y mantenga presionado la tecla de bloqueo.
2. Pulse el interruptor de conexión y desconexión hasta que haga clic.
 - ▶ La pistola de aire caliente calienta y expulsa aire, incluso cuando se libera el interruptor de conexión y desconexión.
3. Vuelva a pulsar el interruptor de conexión y desconexión.
 - ▶ La pistola de aire caliente deja de calentar y expulsar aire.



Ajuste de la temperatura

- La «temperatura ambiente» se ajusta durante la puesta en servicio.
- El indicador de potencia parpadea durante el funcionamiento hasta que se alcanza la temperatura seleccionada.

1. Pulse el botón de selección de temperatura para cambiar el ajuste de temperatura.
2. El indicador de potencia muestra la temperatura ajustada.

Indicadores

Se enciende un LED.	Temperatura ambiente
Se encienden dos LED.	300 °C
Se encienden tres LED.	500 °C

Cuidado y mantenimiento**ADVERTENCIA****Riesgo de lesiones con la batería colocada !**

- ▶ Extraiga siempre la batería antes de llevar a cabo tareas de cuidado y mantenimiento.

Cuidado del producto

- Elimine con precaución la suciedad fuertemente adherida.
- Las rejillas de ventilación, si las hay, deben limpiarse con cuidadosamente con un cepillo seco y suave.
- Limpie la carcasa solo con un paño ligeramente humedecido. No utilice productos de limpieza que contengan silicona, ya que podrían dañar las piezas de plástico.
- Utilice un paño limpio y seco para limpiar los contactos del producto.

Cuidado de las baterías de Ion-Litio

- No utilice nunca una batería con las rejillas de ventilación obstruidas. Limpie cuidadosamente las rejillas de ventilación con un cepillo seco y suave.
- Evite la exposición innecesaria de la batería al polvo o la suciedad. No exponga nunca la batería a altos niveles de humedad (por ejemplo, sumergiéndola en agua o dejándola bajo la lluvia).

Si penetra agua en la batería, trátela como una batería dañada. Aíslela en un recipiente no inflamable y póngase en contacto con el Servicio Técnico de **Hilti**.

- Mantenga la batería limpia de aceite o grasa. No permita la acumulación innecesaria de polvo o suciedad en la batería. Limpie la batería con un cepillo seco y suave o con un paño limpio y seco. No utilice productos de limpieza que contengan silicona, ya que podrían dañar las piezas de plástico.

No toque los contactos de la batería y no elimine de los contactos la grasa aplicada de fábrica.

- Limpie la carcasa solo con un paño ligeramente humedecido. No utilice productos de limpieza que contengan silicona, ya que podrían afectar a las piezas de plástico.

Mantenimiento

- Compruebe con regularidad que las piezas visibles no estén dañadas y los elementos de manejo funcionen correctamente.
- No utilice el producto si presenta daños o fallos que afecten al funcionamiento. Encargue inmediatamente la reparación del producto al Servicio Técnico de **Hilti**.
- Tras las tareas de cuidado y mantenimiento, coloque todos los dispositivos de protección y asegúrese de que funcionen correctamente.



Para garantizar un correcto funcionamiento, utilice exclusivamente piezas de repuesto y consumibles originales. Las piezas de repuesto, los consumibles y los accesorios autorizados por **Hilti** se pueden consultar en su **Hilti Store** o en: www.hilti.group

Transporte y almacenamiento de las baterías y sus herramientas**Transporte****PRECAUCIÓN****Arranque involuntario en el transporte !**

- ▶ Transporte sus productos siempre sin batería.
- ▶ Extraiga la(s) batería(s).
- ▶ Nunca transporte las baterías sin embalaje. Durante el transporte, las baterías deben estar protegidas frente a vibraciones y golpes excesivos y aisladas de todo material conductor y de otras baterías para que no entren en contacto con los polos de otras baterías y causen un cortocircuito. **Tenga en cuenta las normativas locales sobre el transporte de baterías.**
- ▶ Las baterías no deben enviarse por correo. Diríjase a una empresa de transporte si quiere enviar baterías no dañadas.
- ▶ Compruebe si el producto o las baterías están dañados antes de cada uso y antes y después de un transporte prolongado.

Almacenamiento**ADVERTENCIA****Daños imprevistos debido a una batería defectuosa o agotada !**

- ▶ Guarde su productos siempre sin batería.
- ▶ Guarde el producto y las baterías en un lugar fresco y seco. Tenga en cuenta los valores límite de temperatura que figuran en los datos técnicos.
- ▶ No almacene las baterías en el cargador. Extraiga siempre la batería del cargador después del proceso de carga.



- ▶ No guarde nunca las baterías en un lugar expuesto al sol, a fuentes de calor o detrás de un cristal.
- ▶ Guarde el producto y las baterías fuera del alcance de niños y personas no autorizadas.
- ▶ Compruebe si el producto o las baterías están dañados antes de cada uso y antes y después de un almacenamiento prolongado.

Ayuda en caso de averías

En caso de producirse cualquier avería, compruebe el indicador del estado de carga y de averías de la batería. Véase el capítulo **Mostrar la batería de Ion-Litio**.

Si se producen averías que no estén incluidas en esta tabla o que no pueda solucionar usted, diríjase al Servicio Técnico de **Hilti**.

Anomalía	Posible causa	Solución
Los LED de la batería no emiten ninguna indicación	La batería está defectuosa.	▶ Póngase en contacto con el Servicio Técnico de Hilti .
El producto no funciona.	La batería no se ha insertado completamente.	▶ Introduzca la batería hasta que encaje y se oiga un clic.
	El soplador está demasiado caliente.	▶ Deje enfriar el producto.

Reciclaje

ADVERTENCIA

Riesgo de lesiones por un reciclaje indebido. Riesgo para la salud debido a escapes de gases o líquidos.

- ▶ No envíe baterías dañadas bajo ningún concepto.
- ▶ Cubra las conexiones con un material no conductor para evitar cortocircuitos.
- ▶ Deshágase de las baterías de tal forma que no terminen en manos de niños.
- ▶ Elimine la batería en su **Hilti Store** o diríjase a su empresa de desechos.

Los productos **Hilti** están fabricados en su mayor parte con materiales reutilizables. La condición para dicha reutilización es una separación adecuada de los materiales. En muchos países, **Hilti** recoge las herramientas usadas para su recuperación. Pregunte al Cliente de **Hilti** o a su asesor de ventas.



- ▶ No deseche las herramientas eléctricas, los aparatos eléctricos ni las baterías junto con los residuos domésticos.

Garantía del fabricante

- ▶ Si tiene alguna consulta acerca de las condiciones de la garantía, póngase en contacto con su sucursal local de **Hilti**.

Más información

Encontrará información adicional sobre manejo, técnica, medio ambiente y reciclaje en el siguiente enlace: qr.hilti.com/manual/?id=000000
Encontrará este enlace también al final del manual de instrucciones como código QR.

pt Manual de instruções original

Indicações sobre o Manual de instruções

Relativamente a este Manual de instruções

- **Aviso!** Antes de utilizar o produto, certifique-se de que leu e compreendeu o Manual de instruções fornecido com o produto incluindo as instruções, instruções de segurança e advertências, figuras e especificações. Familiarize-se sobretudo com todas as instruções, instruções de segurança e advertências, figuras, especificações, bem como com componentes e funções. Em caso de incumprimento existe perigo de choque eléctrico, incêndio, ferimentos graves ou fatais. Guarde o Manual de instruções incluindo todas as instruções, instruções de segurança e advertências para utilização posterior.
- Os produtos destinam-se ao utilizador profissional e só podem ser operados, mantidos e reparados por pessoal autorizado, devidamente qualificado. Estas pessoas deverão estar informadas em particular sobre os potenciais perigos. O produto e seu equipamento auxiliar podem representar perigo se usados incorrectamente por pessoas não qualificadas ou se usados para fins diferentes daqueles para os quais foram concebidos.
- O Manual de instruções fornecido corresponde ao actual avanço tecnológico no momento da impressão. Encontra a versão actual sempre online, na página de produtos Hilti. Para o efeito, siga a hiperligação ou o código QR neste Manual de instruções, identificado com o símbolo .
- O manual de instruções deve permanecer sem ao alcance da mão junto do produto. Entregue o produto a outras pessoas apenas juntamente com o Manual de instruções.

Explicação dos símbolos

Advertências

As advertências alertam para perigos durante a utilização do produto. São utilizadas as seguintes palavras de aviso:

PERIGO

PERIGO !

- ▶ Indica perigo iminente que pode originar acidentes pessoais graves ou até mesmo fatais.

AVISO

AVISO !

- ▶ Indica um possível perigo que pode causar graves ferimentos pessoais, até mesmo fatais.



⚠ CUIDADO

CUIDADO !

► Indica uma situação potencialmente perigosa que pode originar ferimentos corporais ou danos materiais.

Símbolos no manual de instruções

Neste manual de instruções são utilizados os seguintes símbolos:

	Consultar o manual de instruções
	Instruções de utilização e outras informações úteis
	Manuseamento com materiais recicláveis
	Não deitar as ferramentas eléctricas e baterias no lixo doméstico
	Bateria de iões de lítio Hilti
	Carregador Hilti

Símbolos nas figuras

Em figuras são utilizados os seguintes símbolos:

	Estes números remetem para a figura respectiva no início do presente manual de instruções.
	A numeração reproduz uma sequência dos passos de trabalho na imagem e pode divergir dos passos de trabalho no texto.
	Na figura Vista geral são utilizados números de posição que fazem referência aos números da legenda na secção Vista geral do produto .
	Este símbolo pretende despertar a sua atenção durante o manuseamento do produto.

Símbolos dependentes do produto

Símbolos no produto

No produto, podem usar-se os seguintes símbolos:

	O produto suporta a tecnologia NFC que é compatível com plataformas iOS e Android.
Li-Ion	Bateria de iões de lítio
	Nunca bata com um objecto na bateria nem utilize a bateria como ferramenta de percussão.
	Não deixe cair a bateria. Não utilize baterias que tenham recebido uma pancada ou que estejam, de outra forma, danificadas.
	Consultar o manual de instruções
	Série utilizada da bateria de iões de lítio Hilti . Tenha em atenção as indicações no capítulo Utilização conforme a finalidade projectada .
	Se existente no produto, isso significa que o produto foi certificado por este organismo de certificação para o mercado americano e canadiano de acordo com as normas em vigor.

Segurança

Normas de segurança gerais para ferramentas eléctricas

⚠ AVISO Leia todas as normas de segurança, instruções, imagens e dados técnicos, com os quais esta ferramenta eléctrica está equipada. O não cumprimento das instruções a seguir pode resultar em choque eléctrico, incêndio e/ou ferimentos graves.

Guarde bem todas as normas de segurança e instruções para futura referência.

O termo "ferramenta eléctrica" utilizado nas normas de segurança refere-se a ferramentas com ligação à corrente eléctrica (com cabo de alimentação) ou a ferramentas a bateria (sem cabo).

Segurança no posto de trabalho

- **Mantenha a sua área de trabalho limpa e bem iluminada.** Locais desarrumados ou mal iluminados podem ocasionar acidentes.
- **Não utilize a ferramenta eléctrica em ambientes explosivos ou na proximidade de líquidos ou gases inflamáveis.** Ferramentas eléctricas produzem faíscas que podem provocar a ignição de pó e vapores.
- **Mantenha crianças e terceiros afastados durante os trabalhos.** Distracções podem conduzir à perda de controlo sobre a ferramenta.



Segurança eléctrica

- ▶ **A ficha da ferramenta eléctrica deve servir na tomada. A ficha não deve ser modificada de modo algum. Não utilize quaisquer adaptadores com ferramentas eléctricas com ligação terra.** Fichas originais (não modificadas) e tomadas adequadas reduzem o risco de choque eléctrico.
- ▶ **Evite o contacto do corpo com superfícies ligadas à terra, como, por exemplo, canos, radiadores, fogões e frigoríficos.** Existe um risco elevado de choque eléctrico se o corpo estiver com ligação à terra.
- ▶ **As ferramentas eléctricas não devem ser expostas à chuva nem à humidade.** A infiltração de água numa ferramenta eléctrica aumenta o risco de choque eléctrico.
- ▶ **Não use o cabo de ligação para transportar, pendurar ou desligar a ferramenta eléctrica da tomada. Mantenha o cabo de ligação afastado de calor, óleo, arestas vivas ou partes em movimento.** Cabos de ligação danificados ou emaranhados aumentam o risco de choque eléctrico.
- ▶ **Quando operar uma ferramenta eléctrica ao ar livre, utilize apenas cabos de extensão próprios para utilização no exterior.** A utilização de um cabo de extensão próprio para utilização no exterior reduz o risco de choques eléctricos.
- ▶ **Utilize um disjuntor diferencial se não puder ser evitada a utilização da ferramenta eléctrica em ambiente húmido.** A utilização de um disjuntor diferencial reduz o risco de choque eléctrico.

Segurança física

- ▶ **Esteja alerta, observe o que está a fazer, e tenha prudência ao trabalhar com uma ferramenta eléctrica. Se estiver cansado ou sob influência de drogas, álcool ou medicamentos não efectue nenhum trabalho com ferramentas eléctricas.** Um momento de distração ao operar a ferramenta eléctrica pode causar ferimentos graves.
- ▶ **Use equipamento de segurança. Use sempre óculos de protecção.** Equipamento de segurança, como, por exemplo, máscara antipoeiras, sapatos de segurança antiderrapantes, capacete de segurança ou protecção auricular, de acordo com o tipo e aplicação da ferramenta eléctrica, reduzem o risco de lesões.
- ▶ **Evite um arranque involuntário. Assegure-se de que a ferramenta eléctrica está desligada antes de a ligar à fonte de alimentação e/ou à bateria, pegar nela ou a transportar.** Transportar a ferramenta eléctrica com o dedo no interruptor ou ligar uma ferramenta à tomada com o interruptor ligado (ON) pode resultar em acidentes.
- ▶ **Remova quaisquer chaves de ajuste (chaves de fenda), antes de ligar a ferramenta eléctrica.** Um acessório ou chave deixado preso numa parte rotativa da ferramenta pode causar ferimentos.
- ▶ **Evite posturas corporais desfavoráveis. Mantenha sempre uma posição correcta, em perfeito equilíbrio.** Desta forma será mais fácil manter o controlo sobre a ferramenta eléctrica em situações inesperadas.
- ▶ **Use roupa apropriada. Não use roupa larga ou jóias. Mantenha o cabelo, vestuário e luvas afastados das peças móveis.** Roupas largas, jóias ou cabelos compridos podem ficar presos nas peças móveis.
- ▶ **Se poderem ser montados sistemas de remoção e de recolha de pó, assegure-se de que estes estão ligados e são utilizados correctamente.** A utilização de um sistema de remoção de pó pode reduzir os perigos relacionados com a exposição ao mesmo.
- ▶ **Não se acomode numa falsa sensação de segurança e não ignore os regulamentos de segurança para ferramentas eléctricas, mesmo se estiver familiarizado com a ferramenta eléctrica após numerosas utilizações.** Agir de forma descuidada pode causar ferimentos graves dentro duma fracção de segundo.

Utilização e manuseamento da ferramenta eléctrica

- ▶ **Não sobrecarregue a ferramenta. Use para o seu trabalho a ferramenta eléctrica correcta.** Com a ferramenta eléctrica adequada obterá maior eficiência e segurança se respeitar os seus limites.
- ▶ **Não utilize a ferramenta eléctrica se o interruptor estiver defeituoso.** Uma ferramenta eléctrica que já não possa ser accionada pelo interruptor é perigosa e deve ser reparada.
- ▶ **Retire a ficha da tomada e/ou remova uma bateria amovível antes de efectuar ajustes na ferramenta, substituir acessórios ou guardar a ferramenta.** Esta medida preventiva evita o accionamento acidental da ferramenta eléctrica.
- ▶ **Guarde ferramentas eléctricas não utilizadas fora do alcance das crianças. Não permita que a ferramenta seja utilizada por pessoas não familiarizadas com a mesma ou que não tenham lido estas instruções.** Ferramentas eléctricas operadas por pessoas não treinadas são perigosas.
- ▶ **Faça uma manutenção regular de ferramentas eléctricas e acessórios. Verifique se as partes móveis funcionam perfeitamente e não emperram ou se há peças quebradas ou danificadas que possam influenciar o funcionamento da ferramenta eléctrica. Peças danificadas devem ser reparadas antes da utilização da ferramenta.** Muitos acidentes são causados por ferramentas eléctricas com manutenção deficiente.
- ▶ **Mantenha as ferramentas de corte sempre afiadas e limpas.** Acessórios com gumes afiados tratados correctamente emperram menos e são mais fáceis de controlar.
- ▶ **Utilize a ferramenta eléctrica, acessórios, bits, etc., de acordo com estas instruções. Tome também em consideração as condições de trabalho e o trabalho a ser efectuado.** A utilização da ferramenta eléctrica para outros fins além dos previstos, pode ocasionar situações de perigo.
- ▶ **Mantenha punhos e respectivas superfícies secos, limpos e isentos de óleo e gordura.** Punhos e superfícies afins escorregadios não permitem um manuseamento e controlo seguro da ferramenta eléctrica em situações imprevistas.

Utilização e manuseamento da ferramenta a bateria

- ▶ **Apenas deverá carregar as baterias em carregadores recomendados pelo fabricante.** Num carregador adequado para um determinado tipo de baterias existe perigo de incêndio se for utilizado para outras baterias.
- ▶ **Nas ferramentas eléctricas utilize apenas as baterias previstas.** A utilização de outras baterias pode causar ferimentos e riscos de incêndio.
- ▶ **Quando a bateria não estiver em uso, mantenha-a afastada de outros objectos de metal, como, por exemplo, cliques, moedas, chaves, pregos, parafusos, ou outros pequenos objectos metálicos que possam ligar em ponte os contactos.** Um curto-circuito entre os contactos da bateria pode causar queimaduras ou incêndio.



- ▶ **Utilizações inadequadas podem provocar derrame do líquido da bateria. Evite o contacto com este líquido. No caso de contacto accidental, enxágue imediatamente com água. Se o líquido entrar em contacto com os olhos, procure auxílio médico.** O líquido que escorre da bateria pode provocar irritações ou queimaduras da pele.
- ▶ **Não utilize uma bateria danificada ou modificada.** Baterias danificadas ou modificadas podem ter um comportamento imprevisível e causar fogo, explosão ou risco de ferimentos.
- ▶ **Não exponha uma bateria ao fogo ou a temperaturas excessivas.** Fogo e temperaturas superiores a 130 °C (265 °F) podem provocar uma explosão.
- ▶ **Cumpra todas as instruções sobre o carregamento e nunca carregue a bateria ou a ferramenta a bateria fora da faixa de temperaturas indicada no manual de instruções.** O carregamento errado ou fora da faixa de temperaturas permitida pode destruir a bateria e aumentar o risco de incêndio.

Manutenção

- ▶ **A sua ferramenta eléctrica só deve ser reparada por pessoal qualificado e só devem ser utilizadas peças sobressalentes originais.** Isto assegurará que a segurança da ferramenta se mantenha.
- ▶ **Nunca faça a manutenção de baterias danificadas.** Qualquer manutenção de baterias só deverá ser realizada pelo fabricante ou serviços de assistência técnica autorizados.

Normas de segurança adicionais

- ▶ Utilize o produto e os acessórios somente se estiverem em perfeitas condições técnicas.
- ▶ Nunca efectue quaisquer manipulações ou modificações no produto ou nos acessórios.
- ▶ Risco de ferimentos devido a queda de ferramentas e/ou acessórios. Antes de iniciar os trabalhos, verifique se a bateria e os acessórios montados estão realmente fixos.
- ▶ Utilize sempre o seu bom senso e tenha cuidado ao utilizar a pistola de ar quente. Não é possível prever todas as situações que possam conduzir a um resultado perigoso. Não utilize esta ferramenta se não compreender este manual de instruções ou se tiver a sensação que o trabalho excede as suas capacidades; dirija-se ao Centro de Assistência Técnica **Hilti**
- ▶ Vapores resultantes do aquecimento podem conter químicos perigosos. Alguns exemplos são: chumbo ou tintas à base de chumbo; determinados produtos de alvenaria, produtos contendo silicatos, madeira tratada quimicamente, assim como amianto ou materiais contendo amianto. Determine a exposição do operador e das pessoas que se encontrem nas proximidades através da classe de perigo dos materiais a serem trabalhados. Tome as medidas necessárias para manter a exposição a um nível seguro como, por ex., a utilização de um sistema de exaustão ou o uso de uma protecção respiratória adequada. As medidas gerais para redução da exposição incluem:
 - ▶ Trabalhar num local bem ventilado,
 - ▶ Evite o contacto prolongado com vapores tóxicos,
 - ▶ Manter os vapores afastados do rosto e do corpo,
 - ▶ Usar roupa de protecção e lavar áreas expostas com água e sabão.
- ▶ Não olhe directamente para a luz de trabalho (LED) nem aponte a luz para o rosto de outras pessoas.
- ▶ Mantenha sempre as saídas de ar desobstruídas. Risco de queimaduras devido a saídas de ar tapadas! .
- ▶ Não monte nenhum gancho de cinto neste produto.
- ▶ Não utilize os bocais com massas.
- ▶ Familiarize-se com o ambiente de trabalho. Áreas ocultas, p. ex., por trás de paredes, tetos, pisos, intradorsos e outros revestimentos, podem conter materiais inflamáveis, podendo causar uma ignição ao utilizar a pistola de ar quente nestes locais. A ignição destes materiais pode não ser facilmente identificável, podendo originar danos materiais e em pessoas. Verifique estas áreas antes e após a aplicação de calor. Em caso de dúvida, deverá utilizar um outro método. Se se demorar num local, a placa ou o material por trás da mesma poderá incendiar-se. Mantenha a pistola de ar quente em movimento, de modo a evitar temperaturas excessivas.
- ▶ As pistolas de ar quente podem gerar no bocal um calor sem chama de 593 °C (1100 °F) ou superior. O contacto com o fluxo de ar pode originar ferimentos.
 - ▶ Não oriente o fluxo de ar da pistola de ar quente para o vestuário, cabelos ou outras partes do corpo.
 - ▶ Não utilize a pistola de ar quente como secador de cabelo.
- ▶ O produto aquece durante o funcionamento, especialmente a parte dianteira e o bocal.
 - ▶ Não toque na parte dianteira do produto com as mãos desprotegidas.
 - ▶ Segure a pistola de ar quente sempre pelo punho previsto para o efeito.
 - ▶ Use vestuário de protecção ao trocar o bocal.
 - ▶ Não pouse o produto sobre materiais inflamáveis.
 - ▶ Deixe a pistola de ar quente arrefecer até à temperatura ambiente, antes de lhe tocar ou de ar guardar.
 - ▶ Durante o arrefecimento, coloque a pistola de ar quente numa zona afastada de materiais inflamáveis, de modo a evitar que esses materiais inflamáveis se incendeiem.
- ▶ Não deixe a pistola de ar quente sem supervisão enquanto está desligada ou estiver a arrefecer. A falta de atenção dá origem a acidentes.
- ▶ Coloque a pistola de ar quente sobre uma superfície estável e plana, quando não a está a segurar nas mãos.
- ▶ Não utilize a pistola de ar quente para aquecer alimentos, líquidos ou outros produtos destinados para consumo humano.
- ▶ Não utilize a pistola de ar próximo de líquidos inflamáveis ou em ambientes com risco de explosão, p. ex., na presença de vapores, gases ou poeira. O calor sem chama da pistola de ar quente pode incendiar a poeira ou os vapores. Afaste da área de trabalho materiais ou resíduos que se possam incendiar.
- ▶ Proteja os materiais em voltar da área aquecida, de modo a evitar danos materiais ou incêndios.
- ▶ As pistolas de ar quente podem causar a ignição de materiais inflamáveis que sejam deixados na área de trabalho. Mantenha um extintor por perto.
- ▶ Não oriente o fluxo de ar directamente para vidro. O vidro pode estilhaçar e causar danos materiais ou em pessoas.
- ▶ Conserve as etiquetas e placas de características. Estas contêm informações importantes. Se não estiverem legíveis ou se faltarem, entre em contacto com o Centro de Assistência Técnica **Hilti**.



Normas de segurança importantes para a remoção de tinta

▶ AVISO! Não utilize uma pistola de ar quente para remover tinta que contenha chumbo!

- ▶ Ao decapar tinta antiga, proceda com extremo cuidado. Antes de iniciar os trabalhos, certifique-se de que a tinta que pretende remover não contém chumbo. Em caso de dúvida, mande analisar a tinta em relação ao seu teor de chumbo. As autoridades de saúde locais ou um técnico especializado poderá fazê-lo utilizando um aparelho de análise de tintas.
- ▶ Tinta a descascar, resíduos e vapores podem conter chumbo tóxico. O contacto das mãos e da boca com tinta lascada ou resíduos pode dar origem à absorção de chumbo. Mesmo pequenas quantidades de chumbo podem dar origem a lesões irreversíveis no cérebro e no sistema nervoso. Crianças pequenas e fetos são particularmente susceptíveis a intoxicações por chumbo.
- ▶ Tintas à base de chumbo só devem ser removidas por um técnico especializado!



- Tintas produzidas antes de 1977 podem conter chumbo.
- É muito provável que as tintas produzidas antes de 1950 contenham chumbo.

▶ Respeite as seguintes indicações ao remover tinta com uma pistola de ar quente:

- ▶ **Trabalhe num local bem ventilado.** Se possível, leve a peça a trabalhar para o exterior. Se trabalhar em recintos fechados, abra as janelas e coloque um ventilador de exaustão numa das janelas. Certifique-se de que o ventilador envia o ar de dentro para fora. Uma boa ventilação reduz o risco de inalação das substâncias químicas contidas nos vapores produzidos durante a utilização de uma pistola de ar quente ou no pó levantado durante a utilização da pistola de ar quente.
- ▶ **Remova ou cubra alcatifas, tapetes, móveis, vestuário, utensílios de cozinha e condutas de ventilação,** de modo a evitar danos materiais causados por tinta a descascar.
- ▶ **Na área de trabalho, coloque panos para absorver restos de tinta. Use vestuário de protecção,** tais como, chapéus, camisas de trabalho adicionais e fatos de macaco. Resíduos de tinta podem conter substâncias químicas perigosas.
- ▶ **Trabalhe apenas num recinto.** Afaste os móveis ou coloque-os no centro do recinto e cubra-os. Vede as aberturas das portas com panos de cobertura, de modo a isolar a área de trabalho do resto do edifício.
- ▶ **Crianças, mulheres grávidas ou potencialmente grávidas e mães que estejam a amamentar não devem estar nas proximidades da área de trabalho,** até que todos os trabalhos estejam concluídos e a área de trabalho ter sido cuidadosamente limpa.
- ▶ **Use uma máscara antipoeiras ou uma máscara de protecção respiratória com dois filtros (pó e fumo),** que tenham sido aprovadas pela Occupational Safety and Health Administration (OSHA), pelo National Institute of Safety and Health (NIOSH) ou o United States Bureau of Mines. Certifique-se de que a máscara está bem colocada e vedada corretamente. A barba e os pelos faciais podem fazer com que as máscaras não vedem corretamente. Substitua frequentemente os filtros. As máscaras de papel descartáveis são inadequadas!
- ▶ **Tenha cuidado ao utilizar a pistola de ar quente.** Mantenha a pistola de ar quente em movimento, de modo a evitar temperaturas excessivas. Calor excessivo pode fazer com que a tinta e outros materiais se incendeiem, sendo produzidos vapores que podem ser inalados.
- ▶ **Mantenha o ambiente de trabalho limpo.** A abrasão de tinta e pó produzidos durante a remoção da tinta podem conter substâncias químicas perigosas. Mantenha alimentos e bebidas afastados da área de trabalho. Lave as mãos, braços e rosto e enxague a boca, antes de comer e beber. Na áreas de trabalho não pode fumar, nem mascar chicletes ou tabaco.
- ▶ **Remova todos os restos de tinta e pó a húmido.** Limpe a húmido o chão, paredes, peitoris das janelas e outras superfícies em que se tenha acumulado tinta e pó. Utilize um trapo húmido para evitar o levantamento de pó. Utilize um produto de limpeza com elevado teor de fosfato, fosfato trissódico (TSP) ou um substituto de fosfato trissódico, para limpar e lavar a área de trabalho.
- ▶ **Remova corretamente todos os restos de tinta.** Após cada ciclo de trabalho, coloque os restos de tinta dentro de um saco de plástico duplo, feche-o com fita adesiva ou braçadeiras de cabos e deite-o num contentor de lixo adequado. Observe as regulamentações públicas para a eliminação de resíduos.
- ▶ **Dispa o vestuário de protecção e os sapatos de trabalho na área de trabalho, de modo a evitar a transferência de pó para outras partes do edifício.** Lave o vestuário de trabalho em separado. Limpe os sapatos com um pano húmido e lave o pano juntamente com o seu vestuário de trabalho. Lave bem o cabelo e o corpo com água e sabão.

Utilização e manutenção de baterias

- ▶ **Tenha em atenção as seguintes normas de segurança para um manuseamento e utilização seguros de baterias de iões de lítio.** A inobservância pode causar irritações da pele, ferimentos corrosivos graves, queimaduras químicas, fogo e/ou explosões.
- ▶ Utilize baterias somente se estiverem em perfeitas condições técnicas.
- ▶ Manuseie cuidadosamente as baterias a fim de evitar danos e impedir a fuga de líquidos extremamente nocivos!
- ▶ As baterias não devem, em caso algum, ser modificadas ou manipuladas!
- ▶ As baterias não podem ser desmanteladas, esmagadas, aquecidas acima dos 80°C (176°F) ou incineradas.
- ▶ Não utilize ou carregue baterias que tenham recebido uma pancada ou que estejam, de outra forma, danificadas. Verifique regularmente se as suas baterias apresentam indícios de danos.
- ▶ Nunca utilize baterias recicladas ou reparadas.
- ▶ Nunca utilize a bateria ou uma ferramenta eléctrica a bateria como ferramenta de percussão.
- ▶ Nunca expor as baterias à radiação solar directa, temperaturas elevadas, faíscas ou chamas abertas. Isso pode dar origem a explosões.
- ▶ Não toque nos pólos da bateria com os dedos, ferramentas, jóias ou outros objectos condutores da electricidade. Isto pode danificar a bateria e causar danos materiais e ferimentos.
- ▶ Mantenha as baterias afastadas da chuva, humidade e líquidos. A entrada de humidade pode causar curto-circuitos, choques eléctricos, queimaduras, incêndio e explosões.
- ▶ Utilize apenas carregadores e ferramentas eléctricas previstos para este tipo de bateria. Para isso, tenha em atenção as indicações nos respectivos manuais de instruções.
- ▶ Nunca utilize nem guarde a bateria em ambientes potencialmente explosivos.



- ▶ Se a bateria estiver demasiado quente ao toque, poderá estar com defeito. Coloque a bateria num local com boa visibilidade que não constitua risco de incêndio, suficientemente afastado de materiais inflamáveis. Deixe a bateria arrefecer. Se, passado uma hora, a bateria ainda estiver demasiado quente ao toque, então está com defeito. Contacte o Centro de Assistência Técnica **Hilti** ou leia o documento "Indicações relativas à segurança e utilização de baterias de iões de lítio **Hilti**".



Observe as regras específicas aplicáveis ao transporte, à armazenagem e à utilização de baterias de iões de lítio. 34

Leia as indicações relativas à segurança e utilização de baterias de iões de lítio **Hilti** que encontra efetuando a leitura do código QR identificado com o símbolo .

Descrição

Vista geral do produto

- | | |
|------------------------------------|-------------------------------------|
| ① Botão de selecção da temperatura | ⑦ Punho |
| ② Indicador de temperatura | ⑧ Bateria |
| ③ Olhal | ⑨ Indicação de estado da bateria |
| ④ Tubo de sopro | ⑩ Botão de destravamento da bateria |
| ⑤ Entrada de ar | ⑪ Abertura de montagem |
| ⑥ Interruptor on/off | ⑫ Botão de bloqueio |

Utilização correta

O produto descrito é uma pistola de ar quente a bateria. A pistola de ar quente foi concebida para soldar, retrair e modelar materiais termoplásticos, assim como aquecer e secar materiais.

- Para este produto, utilize apenas baterias de iões de lítio **Hilti** Nuron da série B 22. Para garantir o desempenho perfeito, a **Hilti** recomenda para este produto as baterias indicadas nesta tabela, no fim deste manual de instruções.
- Para estas baterias utilize apenas carregadores **Hilti** das séries referidas na tabela no final deste manual de instruções.

Incluído no fornecimento

Soprador de ar quente, manual de instruções

Poderá encontrar outros produtos de sistema aprovados para o seu produto na sua **Hilti Store** ou em: www.hilti.group

Indicações da bateria de iões de lítio

As baterias de iões de lítio Nuron da **Hilti** podem apresentar o estado de carga, mensagens de erro e o estado da bateria.

Indicações relativas ao estado de carga e mensagens de erro

AVISO

Risco de ferimentos devido à queda da bateria!

- ▶ Com a bateria encaixada, depois de pressionar o botão de destravamento, certifique-se de que volta a encaixar a bateria correctamente no produto utilizado.

Para obter uma das seguintes indicações, pressione brevemente o botão de destravamento da bateria.

O estado de carga, assim como, possíveis avarias são apresentados de forma permanente, enquanto o produto conectado estiver ligado.

Estado	Significado
Quatro (4) LEDs estão sempre acesos a verde	Estado de carga: 100% a 71 %
Três (3) LEDs estão sempre acesos a verde	Estado de carga: 70% a 51 %
Dois (2) LEDs estão sempre acesos a verde	Estado de carga: 50% a 26%
Um (1) LED está sempre aceso a verde	Estado de carga: 25% a 10%
Um (1) LED pisca lentamente a verde	Estado de carga: < 10%
Um (1) LED pisca rapidamente a verde	A bateria de iões de lítio está totalmente descarregada. Carregue a bateria. Se o LED ainda estiver a piscar rapidamente depois de carregar a bateria, contacte o Centro de Assistência Técnica Hilti .
Um (1) LED pisca rapidamente a amarelo	A bateria de iões de lítio ou o produto associado estão sobrecarregados, demasiado quentes, demasiado frios ou existe alguma outra falha. O produto e a bateria devem ser utilizados à temperatura de trabalho recomendada e o produto não deve ser sobrecarregado quando está a ser utilizado. Se a mensagem persistir, contacte o Centro de Assistência Técnica Hilti .
Um (1) LED acende-se a amarelo	A bateria de iões de lítio e o produto associado não são compatíveis. Contacte o Centro de Assistência Técnica Hilti .
Um (1) LED pisca rapidamente a vermelho	A bateria de iões de lítio está bloqueada e não pode continuar a ser utilizada. Contacte o Centro de Assistência Técnica Hilti .



Indicações relativas ao estado da bateria

Para consultar o estado da bateria, mantenha o botão de destravamento pressionado por mais de 3 segundos. O sistema não detecta potenciais anomalias da bateria devido a utilização inadequada como, por ex., quedas, perfurações, danos externos provocados pelo calor, etc.

Estado	Significado
Todos os LEDs acendem como luz de perseguição e, em seguida, um (1) LED está sempre aceso a verde.	A bateria pode continuar a ser utilizada.
Todos os LEDs acendem como luz de perseguição e, em seguida, um (1) LED pisca rapidamente a amarelo.	Não foi possível concluir a consulta sobre o estado da bateria. Repita o procedimento ou contacte o Centro de Assistência Técnica Hilti .
Todos os LEDs acendem como luz de perseguição e, em seguida, um (1) LED está sempre aceso a vermelho.	Se um produto conectado ainda puder ser utilizado, a capacidade restante da bateria é inferior a 50%. Se um produto conectado já não puder ser utilizado, a bateria está no fim da sua vida útil e deve ser substituída. Contacte o Centro de Assistência Técnica Hilti .

Características técnicas

Geração de produtos	01
Tensão nominal	21,8 V
Peso	0,65 kg (1,43 lb)
Temperatura de armazenagem	-20 °C ... 70 °C (-4 °F ... 158 °F)
Temperatura ambiente durante o funcionamento	-17 °C ... 60 °C (1 °F ... 140 °F)

Bateria

Tensão de serviço da bateria	21,6 V
Peso da bateria	Consultar o fim deste manual de instruções
Temperatura ambiente durante o funcionamento	-17 °C ... 60 °C (1 °F ... 140 °F)
Temperatura de armazenagem	-20 °C ... 40 °C (-4 °F ... 104 °F)
Temperatura da bateria no início do carregamento	-10 °C ... 45 °C (14 °F ... 113 °F)

Preparação do local de trabalho

AVISO

Risco de ferimentos devido a um arranque involuntário!

- ▶ Antes de encaixar a bateria, certifique-se de que o produto correspondente está desligado.
- ▶ Remova a bateria, antes de efectuar ajustes na ferramenta ou substituir acessórios.

Tenha em atenção as instruções de segurança e as advertências nesta documentação e no produto.

Carregar a bateria

1. Antes de carregar, leia o manual de instruções do carregador.
2. Certifique-se de que os contactos da bateria e do carregador estão limpos e secos.
3. Carregue a bateria num carregador aprovado. 31

Colocar a bateria

AVISO

Risco de ferimentos devido a curto-circuito ou queda da bateria!

- ▶ Antes de encaixar a bateria, certifique-se de que os contactos da bateria e os contactos no produto estão livres de corpos estranhos.
- ▶ Certifique-se de que a bateria engata sempre correctamente.

1. A bateria deve ser completamente carregada antes da primeira utilização.
2. Introduza a bateria no produto até engatar de forma audível.
3. Verifique se a bateria está correctamente encaixada.

Retirar a bateria

1. Pressione o botão de destravamento da bateria.
2. Puxe a bateria para fora do produto.



Substituir o bocal**AVISO**

Queimaduras graves devido a uma superfície quente! O tubo de sopro fica extremamente quente durante o funcionamento.

► Deixe o soprador de ar quente arrefecer antes de trocar acessórios.

1. Retire o bocal encaixado do tubo de sopro.
2. Encaixe o bocal pretendido firmemente no tubo de sopro.

Protecção anti-queda**AVISO**

Risco de ferimentos devido a queda de ferramentas e/ou acessórios!

- Utilize apenas o cabo de segurança para ferramentas **Hilti** recomendado para o seu produto.
- Antes de cada utilização, verifique o ponto de fixação do cabo de segurança para ferramentas quanto a possíveis danos.



Observe as directivas nacionais para trabalhos em altura.

Como protecção anti-queda para este produto, utilize exclusivamente uma combinação do dispositivo de segurança **Hilti** #2293133 com o cabo de segurança para ferramentas **Hilti** #2261970.

- Fixe o dispositivo de segurança nas aberturas de montagem para acessórios. Verifique se está bem apertado.
- Fixe um mosquetão do cabo de segurança para ferramentas no dispositivo de segurança e o segundo mosquetão a uma estrutura de suporte. Verifique se ambos os mosquetões estão bem apertados.



Observe os manuais de instruções do dispositivo de segurança **Hilti**, bem como do cabo de segurança para ferramentas **Hilti**.

Utilização

Tenha em atenção as instruções de segurança e as advertências nesta documentação e no produto.

Ligar/desligar 2

Ao utilizar pela primeira vez pode surgir um pouco de fumo.

1. Pressione e mantenha pressionado o botão de bloqueio.
2. Pressione e mantenha pressionado o interruptor on/off.
 - A pistola de ar quente aquece e ejecta ar.
3. Solte o interruptor on/off.
 - O soprador de ar quente para de aquecer e de ejectar ar.
4. Solte o botão de bloqueio.
 - O interruptor On / Off está travado.

Ligar/desligar a operação continuada 3

Ao utilizar pela primeira vez pode surgir um pouco de fumo.

1. Pressione e mantenha pressionado o botão de bloqueio.
2. Pressione o interruptor on/off até ser audível um clique.
 - O soprador de ar quente aquece e ejecta ar, mesmo que solte o interruptor on / off.
3. Volte a pressionar o interruptor on/off.
 - O soprador de ar quente para de aquecer e de ejectar ar.

Ajustar a temperatura 4

- Na colocação em funcionamento está ajustada a "Temperatura ambiente".
- O indicador de potência pisca durante o funcionamento até que seja alcançada a temperatura selecionada.

1. Pressione o botão de selecção da temperatura, por forma a mudar o ajuste da temperatura.
2. O indicador de potência mostra a temperatura ajustada.

Indicações

Acende um LED.	Temperatura ambiente
Acendem dois LEDs.	300 °C
Acendem três LEDs.	500 °C



Conservação e manutenção

AVISO

Risco de lesão com a bateria encaixada !

- ▶ Retire sempre a bateria antes de todos os trabalhos de conservação e manutenção!

Conservação do produto

- Remova sujidade persistente com cuidado.
- Se existente, limpe as saídas de ar cuidadosamente com uma escova seca e macia.
- Limpe a carcaça apenas com um pano ligeiramente húmido. Não utilize produtos de conservação que contenham silicone, uma vez que estes podem danificar os componentes de plástico.
- Utilize um pano limpo e seco, para limpar os contactos do produto.

Conservação das baterias de iões de lítio

- Nunca utilize uma bateria com as saídas de ar obstruídas. Limpe as saídas de ar cuidadosamente com uma escova seca e macia.
- Evite que a bateria seja exposta desnecessariamente a pó ou sujidade. Nunca exponha a bateria a humidade elevada (por ex., mergulhar em água ou deixar à chuva).
Se uma bateria tiver ficado encharcada, trate-a como uma bateria danificada. Isole-a num recipiente não inflamável e contacte o Centro de Assistência Técnica **Hilti**.
- Mantenha a bateria sem resíduos de óleo e massa consistente externos. Não permita que se acumule desnecessariamente pó ou sujidade sobre a bateria. Limpe a bateria com uma escova seca e macia ou um pano limpo e seco. Não utilize produtos de conservação que contenham silicone, uma vez que estes podem danificar os componentes de plástico.
Não toque nos contactos da bateria nem remova dos contactos a massa consistente aplicada de fábrica.
- Limpe a carcaça apenas com um pano ligeiramente húmido. Não utilize produtos de conservação que contenham silicone, uma vez que estes podem danificar os componentes de plástico.

Manutenção

- Verifique, regularmente, todos os componentes visíveis quanto a danos e os comandos operativos quanto a funcionamento perfeito.
- Não opere o produto se existirem danos e/ou perturbações de funcionamento. Mandar reparar o produto imediatamente no Centro de Assistência Técnica **Hilti**.
- Após os trabalhos de conservação e manutenção, aplique todos os dispositivos de protecção e verifique se funcionam correctamente.



Para um funcionamento seguro, utilize apenas peças sobresselentes e consumíveis originais. Poderá encontrar peças sobresselentes, consumíveis e acessórios aprovados pela **Hilti** para o seu produto na sua **Hilti Store** ou em: **www.hilti.group**

Transporte e armazenamento de ferramentas a bateria e baterias

Transporte

CUIDADO

Arranque inadvertido durante o transporte !

- ▶ Transporte os seus produtos sempre sem as baterias colocadas!
- ▶ Retire a/s bateria(s).
- ▶ Nunca transporte as baterias sem embalagem. Durante o transporte, as baterias devem ser protegidas contra impactos e vibrações excessivos e isoladas de quaisquer materiais condutores ou outras baterias, para que não entrem em contacto com os pólos de outras baterias e causem um curto-circuito. **Observe as suas normas de transporte locais para baterias.**
- ▶ As baterias não devem ser enviadas por correio. Quando pretender enviar baterias não danificadas, contacte uma empresa transportadora.
- ▶ Verifique o produto e as baterias quanto a danos antes de cada utilização, bem como antes e depois de longos períodos de transporte.

Armazenamento

AVISO

Dano accidental devido a baterias com defeito ou a perderem líquido !

- ▶ Armazene os seus produtos sempre sem as baterias colocadas!
- ▶ Guarde o produto e as baterias em lugar fresco e seco. Tenha em atenção os valores limite de temperatura, que estão indicados nas Características técnicas.
- ▶ Não guarde as baterias no carregador. Após o processo de carregamento, retire sempre a bateria do carregador.
- ▶ Nunca armazene as baterias em locais sujeitos a exposição solar, em cima de fontes de calor ou por trás de um vidro.
- ▶ Guarde o produto e as baterias fora do alcance das crianças e das pessoas não autorizadas.
- ▶ Verifique o produto e as baterias quanto a danos antes de cada utilização, bem como antes e depois de longos períodos de armazenamento.

Ajuda em caso de avarias

Em todas as avarias, observe o indicador do estado de carga e de avaria da bateria. Consultar capítulo **Indicações da bateria de iões de lítio**. No caso de avarias que não sejam mencionadas nesta tabela ou se não conseguir resolvê-las por si mesmo, contacte o nosso Centro de Assistência Técnica **Hilti**.

Avaria	Causa possível	Solução
Os LEDs da bateria não indicam nada	Bateria avariada.	▶ Dirija-se ao Centro de Assistência Técnica Hilti .
O produto não funciona.	A bateria não está completamente encaixada.	▶ Encaixe a bateria com clique audível.




Avaria	Causa possível	Solução
O produto não funciona.	O soprador está demasiado quente.	▶ Deixe arrefecer o produto.

Reciclagem**AVISO**

Perigo de ferimentos devido a eliminação incorrecta! Riscos para a saúde devido à fuga de gases ou líquidos.

- ▶ Não envie quaisquer baterias danificadas!
- ▶ Para evitar curto-circuitos, cubra as conexões com um material não condutor.
- ▶ Elimine as baterias de modo a mantê-las longe do alcance das crianças.
- ▶ Efectue a reciclagem da bateria na sua **Hilti Store** ou entre em contacto com a empresa de recolha de lixo responsável.

 Os produtos **Hilti** são, em grande parte, fabricados com materiais recicláveis. Um pré-requisito para a reciclagem é que esses materiais sejam devidamente separados. Em muitos países, a **Hilti** aceita o seu aparelho usado para reaproveitamento. Para mais informações, dirija-se ao Serviço de Clientes **Hilti** ou ao seu vendedor.



- ▶ Não deite as ferramentas eléctricas, aparelhos electrónicos e baterias no lixo doméstico!

Garantia do fabricante

- ▶ Se tiver dúvidas em relação às condições de garantia, contacte o seu parceiro **Hilti** local.

Mais informações

Pode consultar informações mais pormenorizadas sobre Utilização, Tecnologia, Meio ambiente e Reciclagem na seguinte hiperligação: qr.hilti.com/manual/?id=000000

Também pode encontrar esta hiperligação no final do manual de instruções sob a forma de código QR.



NURON

B 22-55	(01)	0,56 kg	1.23 lb
B 22-85	(01)	0,77 kg	1.70 lb
B 22-100	(01)	0,84 kg	1.85 lb
B 22-110	(01)	0,92 kg	2.03 lb
B 22-195	(01)	1,33 kg	2.93 lb
B 22-260	(01)	1,64 kg	3.62 lb
B 22-290	(01)	1,81 kg	3.99 lb



C 4-22
C 6-22
C 8-22





Hilti Corporation
LI-9494 Schaan
Tel.:+423 234 21 11
Fax:+423 234 29 65
www.hilti.group



2373118